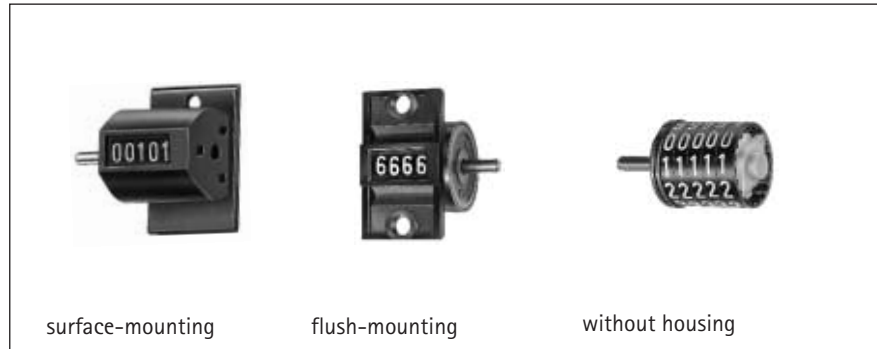


Revolution- or Stroke Counters

Types 101/103 301/309



- 4- or 5 digit display
- Without reset
- With or without case
- Miniature size

CASE

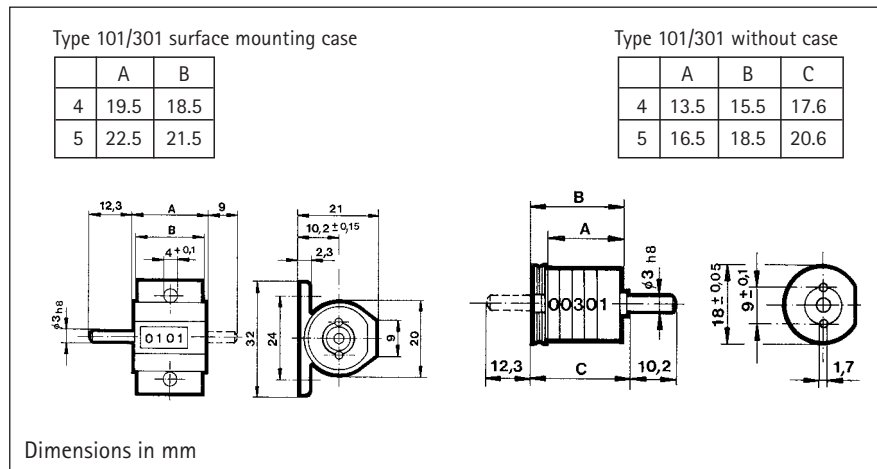
Counters in this series are available with surface-mounting case, with flush-mounting case or without any housing.

TECHNICAL DATA

| | |
|--------------------|---|
| Display | 4 or 5-digit, depending on version |
| Digit height | 4.2 mm |
| Mounting | depending on version |
| Case | plastic (POM) black |
| Weight | approx. 5 g, with case approx. 9 g |
| Counting mode | Revolution counter: + (-) adding in the specified direction, subtracting in reverse direction. Stroke Counter: + is fixed, adding |
| Transmission ratio | 1:1 or 1:10, depending on version |
| Max. speed | Revolution counter: 1.000 rpm, at a transmission ratio of 1:10 max. 100 rpm. Stroke counter: max. 500 strokes/min., switching distance min. 46°, max. 49° |
| Torque | Revolution counter: 0.05 Ncm, Stroke counter: 1.0 Ncm |
| Reset | none |

DIMENSIONS

Type 101/301
surface-mounting case

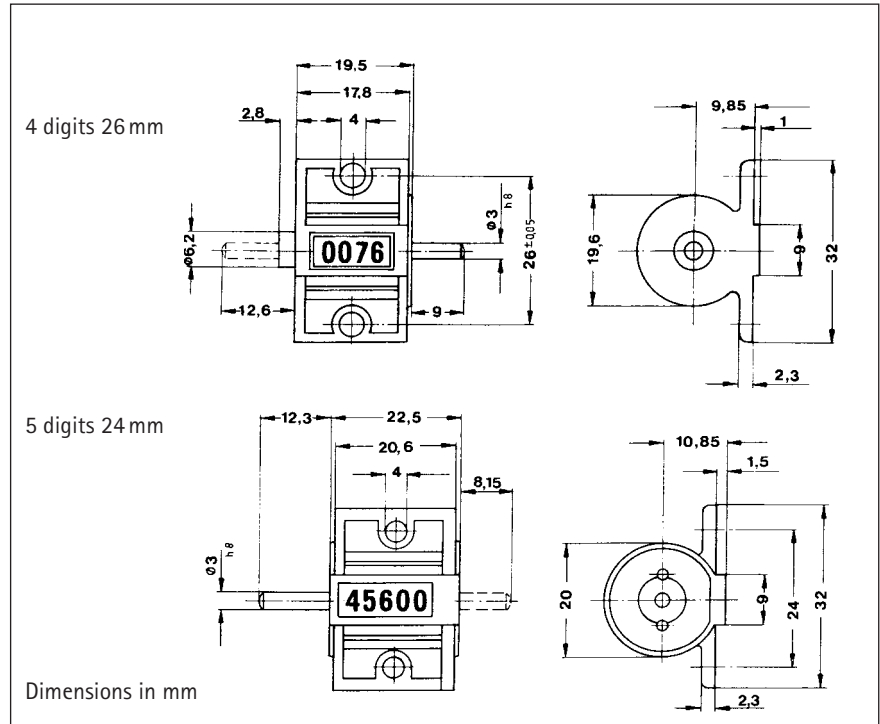


Types 101/103 301/309

DIMENSIONS

Typ 103/309 flush mounting case

Technical data



ORDER INFORMATION Revolution Counters

Ratio

| Case | Number of digits | Actuation/sense of rotation | | | | |
|------|------------------|-----------------------------|-----------|------------|------------|------------|
| | | Bz | Bw | Bz | Bw | |
| 1:1 | Surface | 4 | 0 101 605 | 0 101 606* | 0 101 607 | 0 101 608 |
| | | 5 | 0 101 609 | 0 101 610 | 0 101 611* | 0 101 612* |
| | flush | 4 | 0 103 605 | 0 103 606 | 0 103 607 | 0 103 608 |
| | | 5 | - | - | - | - |
| 1:10 | Surface | 4 | 0 101 505 | 0 101 506 | 0 101 507 | 0 101 508 |
| | | 5 | 0 101 613 | 0 101 614* | 0 101 615* | 0 101 616 |
| | flush | 4 | 0 103 505 | 0 103 506 | 0 103 507 | 0 103 508 |
| | | 5 | - | - | - | - |

Stroke Counter

| Case | Number of digits | Actuation/sense of rotation | | | |
|---------|------------------|-----------------------------|------------|------------|------------|
| | | Bz | Bw | Bz | Bw |
| Surface | 4 | 0 301 505 | 0 301 506 | 0 301 507 | 0 301 508 |
| | 5 | 0 301 509 | 0 301 510 | 0 301 511 | 0 301 512 |
| flush | 4 | 0 309 505* | 0 309 506* | 0 309 507* | 0 309 508* |
| | 5 | 0 309 509 | 0 309 510* | 0 309 511* | 0 309 512* |
| without | 4 | 0 301 401* | - | - | - |
| | 5 | 0 301 405* | - | 0 301 407* | 0 301 408* |

Stroke lever 0 600 007

For further stroke levers see accessories

* on request
Inquire for other versions