

# Type 125

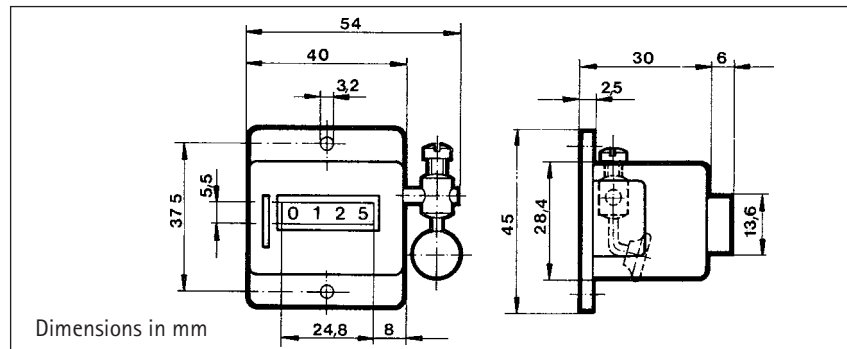


## TECHNICAL DATA

- 4-digit display
- Button reset
- Rugged, easy to operate
- Maintenance-free operation

Display	4-digit
Digit height	4 mm
Mounting	wall-mounted, magnetic attaching plate available
Cover	plastic (ASB) grey
Baseplate	sheet steel, burnished
Weight	approx. 70 g
Counting mode	adding, 1 stroke = 1 increment
Reset	manual with button
⚠	Don't push the reset pushbutton during the process

## DIMENSIONS



## ORDER INFORMATION

Counter	Ordering code 0 125 342
Accessory stroke lever	Ordering code 0 600 065
Magnetic attaching plate	Ordering code 1 125 009