

AC CONTROL - 5000

General Information

Application

The 5000 Space Savers in NEMA Sizes 00 thru 5 offer versatile and compact AC contactors for industrial motor, heating and other power circuit switching. Simplified design coupled with built-in reliability assures the user long, trouble-free operation in machine tools, process controls, air-conditioning, custom panels and other demanding applications.

Description

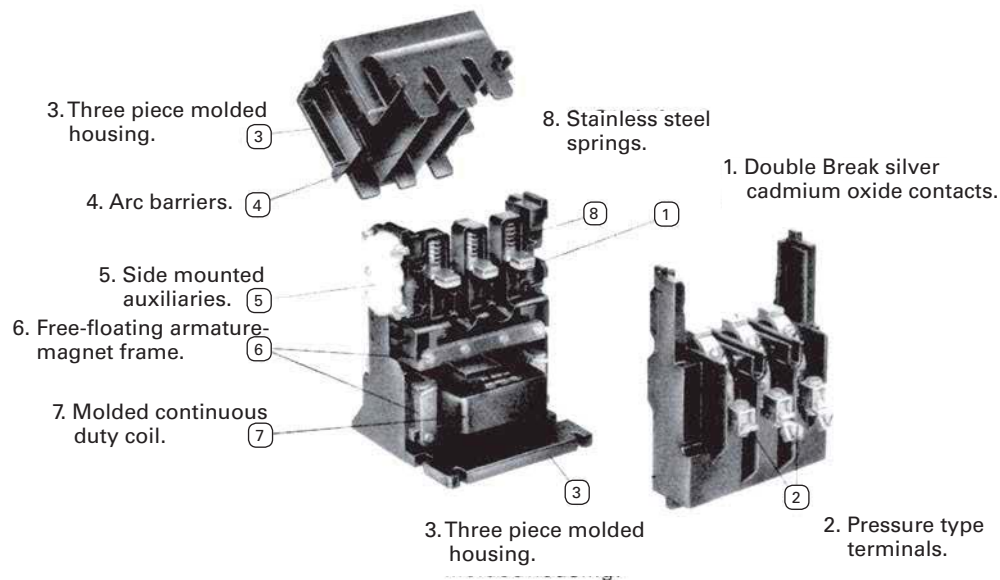
All 5000 magnetically operated contactors incorporate a modern, modular design compatible with other control component modules. Terminal location make them ideal for straight-through wiring and for wire-channel layouts. Accessible, up-front pressure-type terminals are standard. The hot molded, high arc resistant two or three piece housings not only totally enclose contacts and operating coils for environmental protection; but also separate them as added protection against internal phase-to-phase short circuits. Generous size, long wearing double break contacts are furnished on all sizes. Contacts are made of silver cadmium oxide for "anti-weld" protection under high inrushes. Contacts do not require adjustment or periodic dressing (filing).

Coil Data

Standard coils for continuous duty service are equipped with pressure type terminals. Molded coil construction resists moisture; thermal and mechanical stress.

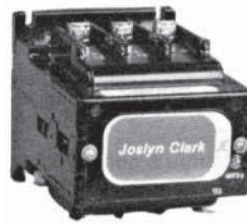
Typical User Benefits:

- Modern Modular Design - makes contactors compatible with other control panel components. Ideal for wire-channel layouts.
- Compact Size - 5000 Contactors conserve control panel area without sacrificing accessibility or reliability. The 100 amp. Size 3 contactors occupy less than 19.0 sq. in. of panel space.
- Only 15 Basic Parts - This simple design affords longer operating life and greater reliability than more complex units.
- Fast Installation - Accessible up-front pressure type terminals on both power and control circuits, take unplugged stripped wire. Design permits straight-through wiring.
- Quick, Easy Inspection - Simply withdraw the front housing piece, after removing two screws, all main contacts are in full view. No need to disturb wiring or remove contactor from panel for complete inspection of all parts.



AC CONTROL - 5000

Non-Reversing Contactors



B

3 Pole Contactors - Three Phase

NEMA Size	8-Hour Rating in Amperes		Open Type Catalog No.
	Open	Enclosed	
00	10	9	5009A3001-
0	20	18	5000A3001-
1	30	27	5001A3001-
2	50	45	5002A3001-
3	100	90	5003A3001-
4	150	135	5004-3001-
5	300	270	5005-3001-

Auxiliary Contact Rating

AC Volts	Sizes 00 - 5	
	Amperes	
	Continuous	Inrush
120	6	60
280	3	30
480	1.5	15
600	1.2	12

Auxiliary Contacts (Interlocks)

NEMA Size	Max. No. of N.O. or N.C. or N.O. - N.C. Auxiliary units
00, 0 & 1	2
2, 3, 4, 5	4

Ratings¹ - Ampere and Horsepower, Single Speed Motors

NEMA Size	Amperes		Three Phase - Horsepower Rating						Single Phase - Horsepower Rating			
			Starting			Plug-Stop or Jogging Duty			Starting		Plug-Stop or Jogging Duty	
	Open	Enclosed	115V	230V	480/575V	115V	230V	480/575V	115V	230V	115V	230V
00	10	9	3/4	1 1/2	2	----	----	----	1/3	1 1/2	----	----
0	20	18	2	3	5	1	1 1/2	2	1	2	1/2	1
1	30	27	3	7 1/2	10	2	3	5	2	3	1	2
2	50	45	7	15	25	----	10	15	3	7	2	5
3	100	90	----	30	50	----	20	30	----	----	----	----
4	150	135	----	50	100	----	30	60	----	----	----	----
5	300	270	----	100	200	----	75	150	----	----	----	----

Notes:

1. These ratings are based on locked rotor current not exceeding six times motor full load current for the max. horsepower rating.

Ordering Information

- Use complete catalog number. Replace the (*) with the suffix from the coil table.
- Modification Page

*Coil Table

NEMA Size	DC Voltage	Suffix	NEMA Size	60Hz/Voltage	Suffix
00-5 incl.	24	82	00-5 incl.	120	11
00-5 incl.	48	32	3,4,5	208/240	21
00-5 incl.	120	12	00,0,1,2	208	90
00-5 incl.	240	22	00,0,1,2	240	21
			00-5 incl.	480	41
			00-5 incl.	600	51

AC CONTROL - 5000

Modifications & Accessories

Accessory Kits & Special Features

For Field Installation Auxiliary Interlocks For NEMA Sizes 00-5 Contactors		Kit No.
N.O. Std.		5M63
N.C. Std.		5M64
N.O. & N.C. Std.		5M65
N.O. Low Power		5M63L
N.C. Low Power		5M64L
N.O. & N.C. Low Power		5M65L
N.O. Std. & N.C. Low Power		5M66
N.O. Low Power & N.C. Std.		5M65L0
N.C. Std. Early Close		5M64E ²
N.O. Low Power & N.C. Std. Late Break		5M68E
N.C. Low Power - Late Break		5M64LE
N.O. Std. & N.C. Low Power Late Break		5M67 ²
N.O. Low Power & N.C. Low Power		5M69 ²
Tandem Mounting Kit ¹		5M60DA
Reversing & Multi-Speed Accessory Kit	Starter or Contactor Size	Kit No.
Mechanical Interlock	00, 0 & 1 ³	5M115
	0 & 1 ⁴	5M110
	2, 3, & 4	5999-4737
	2 ³	5999-4717
	5	5999-4757
Reversing Contactor Base Plate: Series 5000	5to4	5999-4748
	0 & 1	23081.692-1
	2 & 3A	23082.79
	4	23083.30
	5	23085.312-1

Notes:

1. Contains mounting hardware only. Order auxiliary separately.
Not for 7000 or 7001 Series Contactors.
2. Not for use on 5000 contactor size 00, 0, 1 & 2 or 5DP contactors 10/40, 40 & 75 amp. sizes.
3. For use with style A contactors only. Style A contactors are identified by the letter A following the fourth digit in the catalog number.
4. Not for use on style A contactors.
5. Kit contains: stationary contacts, movable contacts & contact springs.

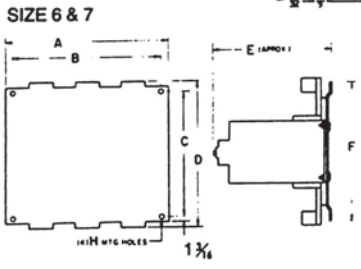
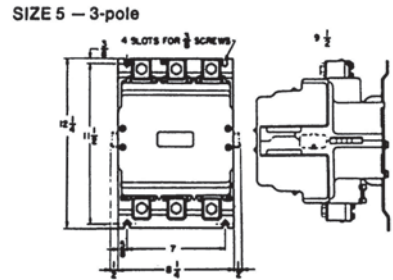
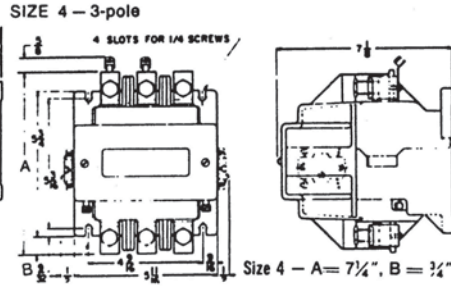
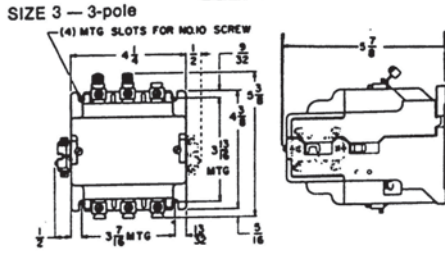
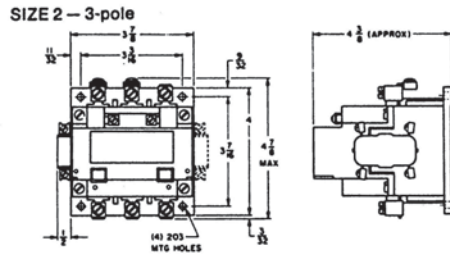
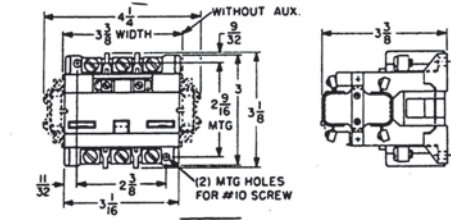
Contact Kits - 1 Pole⁵

Basic Cat. No.	NEMA Size	Discount Sch. JC80
5009A or B	00	5M87
5000A or B	0	5M87
5000-	0	5M50
5001A or B	1	5M19
5001-	1	5M51
5002A or B	2	5999-2521
5002-	2	5M52
5003A or B	3	5M80
5003-	3	5M53
5004-	4	5M54
5005-	5	5999-0045

AC Coil Data and Coil Kits

Basic Cat. No.	NEMA Size	Volts 60Hz	V.A. 60Hz		Kit No.
			Inrush	Sealed	
5009A	00	120	120	28	5ML25
5000A	0	208			5ML26
5001A	1	240			5ML29
		480			5ML27
		600			5ML28
5002A	2	120	290	48	5999-1801
		208			5999-1805
		240			5999-1802
		480			5999-1803
		600			5999-1804
5002	2	120	264	41	5ML21
		240			5ML22
5003A	3	480			5ML23
		600			5ML24
		120	672	72	5ML41
		240			5ML42
5004	4	480			5ML43
		600			5ML44
		120	1776	144	5ML51
		240			5ML52
5005	5	480			5ML53
		600			5ML54

OPEN TYPE CONTACTORS — DIMENSIONS — Approx.
 Contactor base must be mounted vertically.
 SIZE 00, 0 & 1 — 3-pole



SIZES 6 and 7 — 2 and 3-pole

NEMA SIZE	No. of Poles	DIMENSIONS — In Inches — Approx						
		A	B	C	D	E	F	H
6	2	11 1/4	10 3/4	12 1/4	14 3/4	11 1/2	13 1/4	1 1/2
6	3	16 1/4	14 3/4	12 1/4	14 3/8	11 1/2	13 1/4	1 1/2
7	2 or 3	21 1/4	19 1/4	17 1/4	19 1/4	14 1/4	19 1/4	3/4

DIMENSIONS — Approximate
 Reversing Contactor base plate must be vertically mounted with long dimension horizontal.

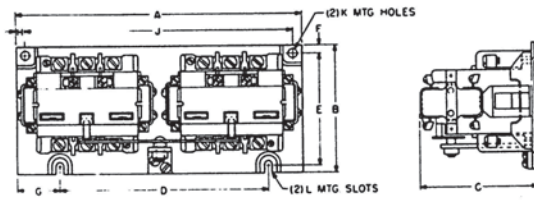


Fig. 1 Sizes 0 and 1 — Open type

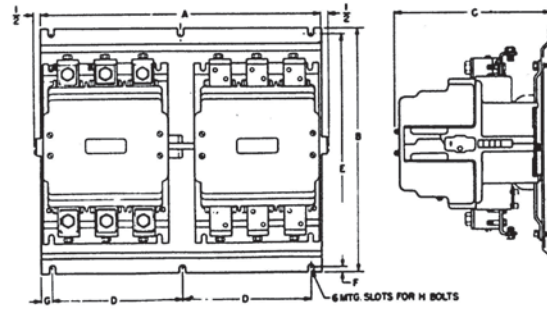


Fig. 3 Size 5 — Open type

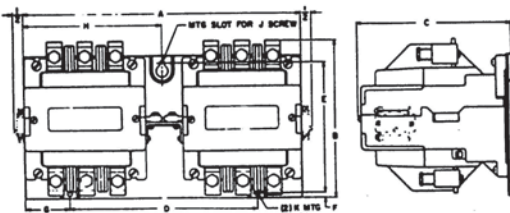


Fig. 2 Sizes 2, 3 and 4 — Open type

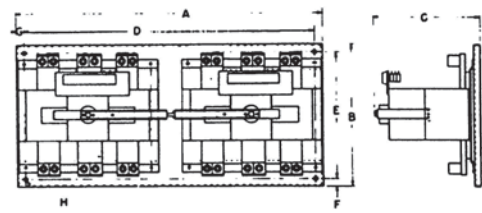


Fig. 4 Size 6 — Open type

OPEN TYPE REVERSING CONTACTORS

Series 5200

NEMA Size	Dim. Fig.	DIMENSIONS — In Inches										
		A	B	C	D	E	F	G	H	J	K	L
0 & 1	1	8 3/4	3 1/4	3 3/4	6 1/4	3 3/4	1/4	1 3/4	1/2	8 1/4	.281	.266
2	2	10 3/4	5 3/4	4 1/2	7 1/4	4 3/4	1/4	1 1/2	5 1/2	1/4	.281	—
3	2	10 3/4	5 3/4	6 1/8	7 1/8	4 3/4	1/4	1 1/32	5 5/32	1/4	.281	—
4	2	13 3/4	7 1/2	7 3/4	9	6 3/4	1/4	2 3/2	6 1/2	1/4	1/4	—
5	3	18 3/4	16 1/4	10 3/4	8 1/2	15 1/2	3/8	2 1/2	3/4	—	—	—
6	4	35 1/4	16 1/2	12 1/4	33 3/4	14 3/4	1/4	3/8	3/8	—	—	—