

Joslyn Clark 

**Low & Medium
Voltage**

**Vacuum
Contactors**



www.joslynclark.com

Joslyn Clark's Compact CV Series Vacuum Contactors and Starters are ideal for tough industrial applications. The compact design provides flexibility for retrofitting air break contactors, thus enabling an existing application to continue with maintenance cost and down time eliminated.

These compact CV Series Contactors and Starters are suitable for worldwide applications and for use with all types of motors including high efficiency IEC and NEMA design E motors.

The CV Series are easily interchangeable with NEMA Air Break contactors & starters. This series also features a simplified DC magnet system with range rated economized coils for improved reliability.

International Ratings For Global Applications
 UL508 Listed | CSA22.2 certified | NEMA ICS-2 | IEC 947-4.1

Mechanically Interlocked versions are available for reversing applications.

Features

- Front Accessible
- Long Mechanical & Electrical Life
- Mounts in any plane
- Class 20 Bi-metallic overload relays
- Quiet, Rugged Design
- Standard with On/OFF Indicator
- Compact, Lightweight
- Side mounted auxiliary contacts



COMPACT VACUUM CONTACTOR

CV Series



Size 4 Specifications

Catalog Numbers ¹	CV77U030406-**	CV77U032006-**	CV77031615-**
------------------------------	----------------	----------------	---------------

Power Ratings Enclosed			
Rated Insulating & Operating Voltage	600V	1,000V	1,500V
Rated Operating Current - AC1	135A	200A	200A
Rated Operating Power - AC3	100HP 460/575V	250HP 185KW-660V	500HP 370KW-1,500V
Rated Operating Power - AC4	60HP 460/575V	175HP 130KW-660V	315HP 235KW-1,500V
Rated Frequency	50-400Hz		
Making Current	2,000A		
Breaking Current	1,600A		
Dielectric Strength	6,000V (1 Minute per Interrupter)		
Interrupting Current	2,200A		
Short Time Withstand Current (50ms)	10,000A		
Short Time Current (1s)	5,000A		
Short Time Current (10s)	1,600A		
Mechanical Life - No Load	1,200,000 cycles		
Electrical Life at Rated Current (AC3 Duty Cycles)	1,000,000 cycles		
Switching Frequency	600 cycles per hour		
Max Chopping Current	0.9A		
Operating Range at Rated Voltage	-15% +10%		
Closing Power / Duration	1,200VA 20 ms Duration		
Holding Power	12VA		
Average Opening Time (Drop out)	120ms		
Average Closing Time (Pick up)	20-40ms		
Average Pick-Up at Rated Voltage	≤85%		
Average Drop-Out at Rated Voltage	≤70%		
Recommended Control Transformer	400VA Machine Tool Transformer; 5% Regulation at 20%pf		

Application Ratings	
Mounting Installation	All Planes (Contactor only)
Altitude	Up to 6600 ft. (2000 m)
Operating Temperature Range	-40°F (-40°C) +122°F (50°C)
Vibration / Shock	40Hz - 2G. / 30G.
Weight	21 lbs. (9.53 kg)
Auxiliary Contacts	1 N.C. & 1 N.O. (standard); 3 N.C. & 3 N.O. (optional)

Coil Voltages

Suffix	Coil Voltage
-76	110/120VAC 50/60Hz
-26	220/240VAC 50/60Hz
-125	125VDC
-250	250VDC

Motor HP/KW AC3²

Voltage	135A	200A
200/208V	40/30	60/45
220/240V	50/37	75/56
380/415V	75/56	125/93
440V	100/75	125/93
460/480V	100/75	150/112
575V	125/93	150/112
600V	125/93	200/149
660/690V	-	200/149
1,000V	-	300/224
1,500V	-	500/373

Three Phase Transformer Load KVA

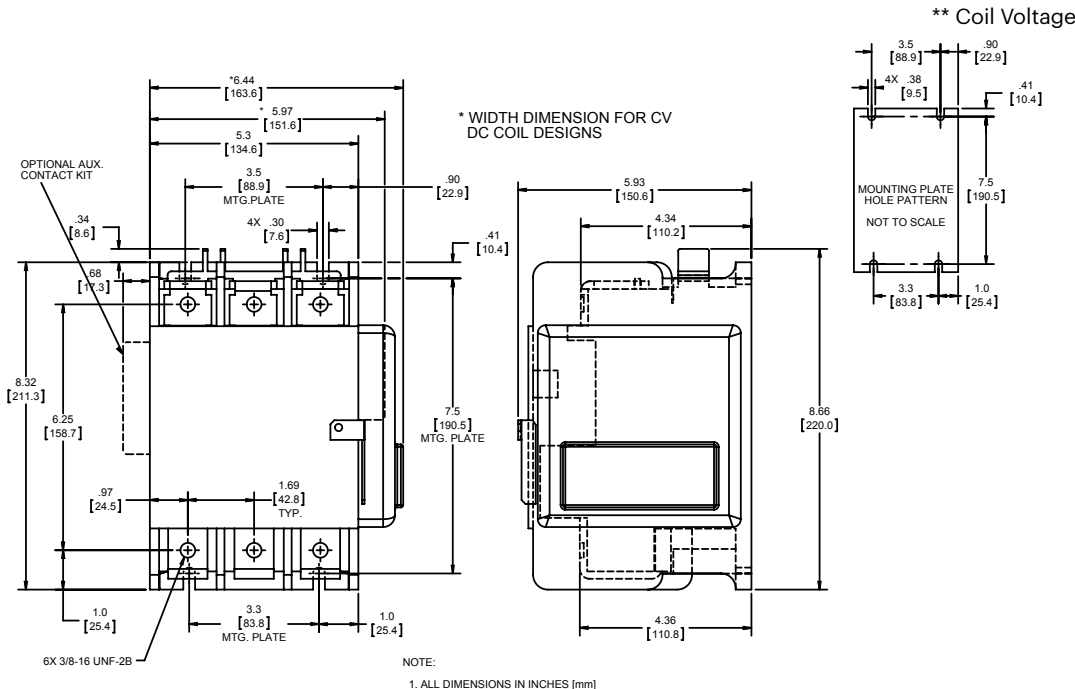
Voltage	135A	200A
200/208V	44/46	66/68
220/240V	49/53	72/79
380/415V	84/92	125/137
440V	98	145
460/480V	102/107	151/158
575V	128	189
600V	133	197
660/690V	-	217/227
1,000V	-	329
1,500V	-	494

Three Phase Capacitor Load KVAR

Voltage	135A	200A
208V	40	54
220/240V	43	62
380/400V	74	104
415/440V	81	114
460V	90	127
575/600V	115	156
1,000V	195	260
1,500V	292	390

NOTES:

- Consult factory for certifications and approvals.
- Suitable for use on a circuit capable of delivering not more than 10,000 rms. symmetrical amperes.



Size 5 Specifications

Catalog Numbers ¹	CV77U030506-**-**	CV77U034A06-**-**	CV77034A15-**-**
------------------------------	-------------------	-------------------	------------------

Power Ratings Enclosed			
Rated Insulating & Operating Voltage	600V	1,000V	1,500V
Rated Operating Current - AC1	270A	400A	400A
Rated Operating Power - AC3	200HP 460KW/575V	500HP 370KW-660V	850HP 650KW-1500V
Rated Operating Power - AC4	120HP 460KW/575V	300HP 260KW-660V	315HP 570KW-1500V
Rated Frequency	50-400Hz		
Making Current	4,000A		
Breaking Current	3,200A		
Dielectric Strength	6,000V (1 Minute per Interrupter)		
Interrupting Current	4,600A		
Short Time Withstand Current (50ms)	18,000A		
Short Time Current (1s)	7,000A		
Short Time Current (10s)	3,200A		
Mechanical Life (No Load)	1,200,000 cycles		
Electrical Life at Rated Current (AC3 Duty)	1,000,000 cycles		
Switching Frequency	600 cycles per hour		
Max Chopping Current	0.9A		
Operating Range at Rated Voltage	-15% +10%		
Closing Power / Duration	1200VA 20ms		
Holding Power	10-12VA		
Average Opening Time (Drop out)	120ms		
Average Closing Time (Pick up)	20-40ms		
Average Pick-Up at Rated Voltage	≤85%		
Average Drop-Out at Rated Voltage	≤70%		
Recommended Control Transformer	500VA Machine Tool Transformer; 5% Regulation at 20%pf		

Application Ratings	
Mounting Installation	All Planes (Contactor only)
Altitude	Up to 6,600 feet (2,000 m)
Operating Temperature Range	-40°F (-40°C) +122°F (50°C)
Vibration / Shock	40Hz - 2G. / 30G.
Weight	30 lbs. (13.61 kg)
Auxiliary Contacts	1 N.C. & 1 N.O. (standard); 3 N.C. & 3 N.O. (optional)

Coil Voltages

Suffix	Coil Voltage
-76	110/120VAC 50/60Hz
-26	220/240VAC 50/60Hz
-125	125VDC
-250	250VDC

Motor HP/KW AC3

Voltage	270A	400A
200/208V	75/56	125/93
220/240V	100/75	150/112
380/415V	150/112	250/187
440V	200/149	250/187
460/480V	200/149	300/224
575V	250/187	350/261
600V	200/187	400/298
660/690V	-	450/336
1,000V	-	650/485
1,500V	-	1,000/746

Three Phase Transformer Load KVA

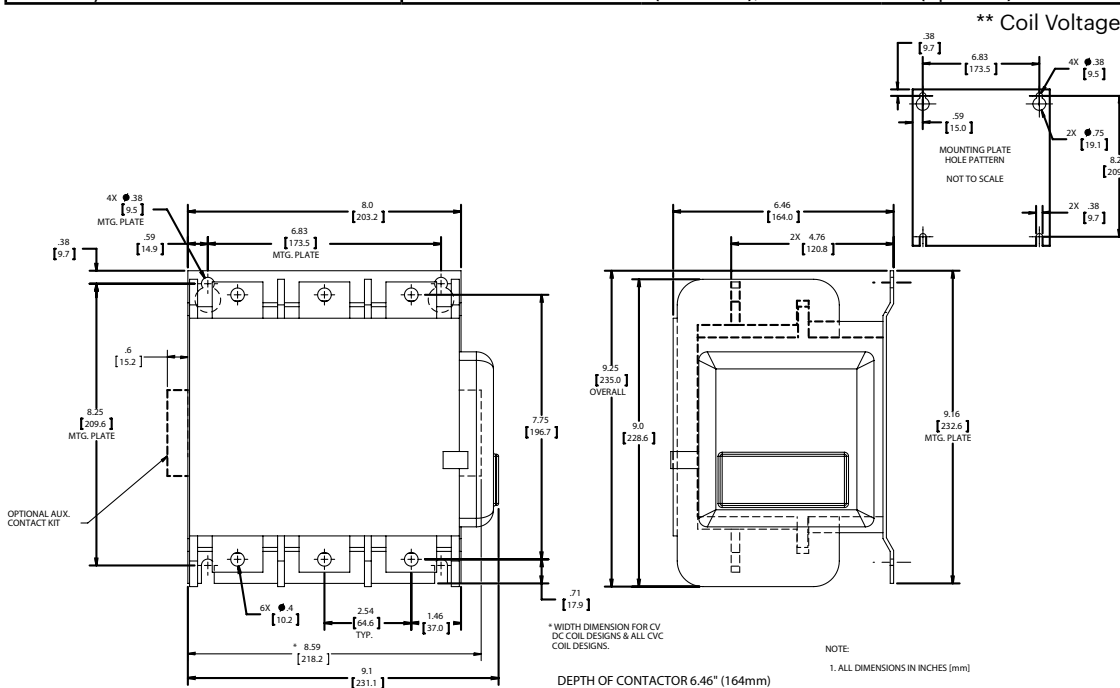
Voltage	270A	400A
200/208V	89/92	132/137
220/240V	98/107	145/158
380/415V	169/184	250/273
440V	195	290
460/480V	204/213	303/316
575V	255	378
600V	267	395
660/690V	-	434/454
1,000V	-	658
1,500V	-	987

Three Phase Capacitor Load KVAR

Voltage	270A	400A
200/208V	66/68	98/102
220/240V	72/80	108/118
380/415V	126/138	186/204
440V	146	216
460/480V	152/160	226/236
575V	190	282
600V	200	296
660/690V	-	324/340
1,000V	-	492
1,500V	-	740

NOTES:

¹ Consult factory for certifications and approvals.



COMPACT VACUUM CONTACTOR

CV Series



Size 6 Specifications

Catalog Numbers ¹	CV77U030606-**	CV77U036A06-**	CV77036A15-**
Power Ratings Enclosed			
Rated Insulating & Operating Voltage	600V	1,000V	1,500V
Rated Operating Current - AC1	540A	600A	600A
Rated Operating Power - AC3	400HP 460/575V	750 HP 550KW-660V	500HP 900KW-1,500V
Rated Operating Power - AC4	250HP 460/575V	525 HP 390KW-660V	950HP 700KW-1,500V
Rated Frequency	50-400Hz		
Making Current	6,000A		
Breaking Current	4,800A		
Dielectric Strength	6,000V (1 Minute per Interrupter)		
Interrupting Current	6,000A		
Short Time Withstand Current (50ms)	30,000A		
Short Time Current (1s)	9,000A		
Short Time Current (10s)	4,800A		
Mechanical Life (No Load)	750,000 cycles		
Electrical Life at Rated Current (AC3 Duty)	500,000 cycles		
Switching Frequency	300 cycles per hour		
Max Chopping Current	0.9A		
Operating Range at Rated Voltage	-15% +10%		
Closing Power / Duration	1600VA 20ms		
Holding Power	10-12.5VA		
Average Opening Time (Drop out)	160ms		
Average Closing Time (Pick up)	20-40ms		
Average Pick-Up at Rated Voltage	≤85%		
Average Drop-Out at Rated Voltage	≤70%		
Recommended Control Transformer	500VA Machine Tool Transformer; 5% Regulation at 20%pf		

Application Ratings	
Mounting Installation	All Planes (Contactor only)
Altitude	Up to 6,600 ft. (2,000 m)
Operating Temperature Range	-40°F (-40°C) +122°F (50°C)
Vibration / Shock	40Hz - 2G. / 30G.
Weight	33 lbs. (14.97 kg)
Auxiliary Contacts	1 N.C. & 1 N.O. (standard); 3 N.C. & 3 N.O. (optional)

Coil Voltages

Suffix	Coil Voltage
-76	110/120VAC 50/60Hz
-26	220/240VAC 50/60Hz
-125	125VDC
-250	250VDC

Motor HP/KW AC3

Voltage	540A	600A
200/208V	150/112	200/149
220/240V	200/149	200/149
380/415V	300/224	350/261
440V	350/261	400/298
460/480V	400/298	450/336
575V	500/373	550/40
600V	500/373	600/448
660/690V	-	650/485
1,000V	-	1,000/746
1,500V	-	1,500/1119

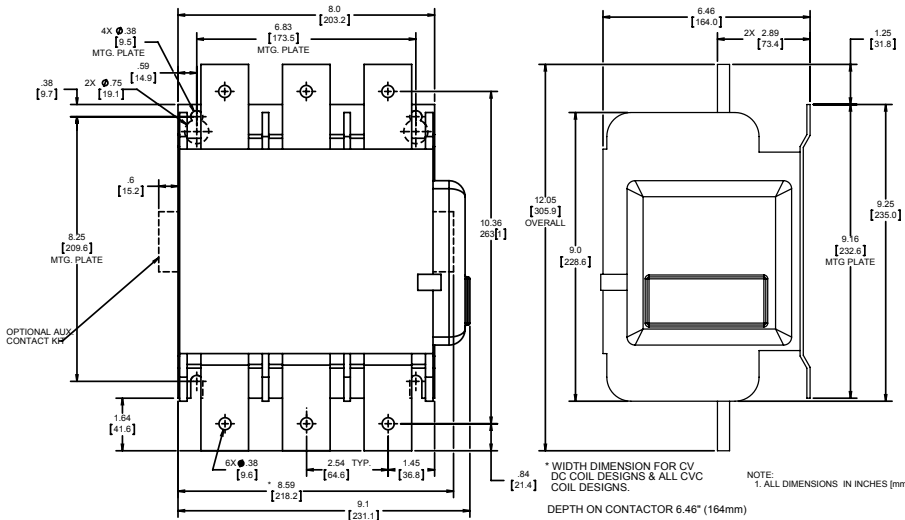
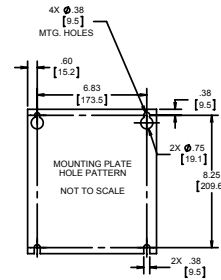
Three Phase Transformer Load KVA

Voltage	540A	600A
200/208V	178/185	197/205
220/240V	195/213	217/237
380/415V	338/369	375/410
440V	391	434
460/480V	409/426	454/474
575V	511	568
600V	533	592
660/690V	-	652/681
1,000V	-	987
1,500V	-	1,481

Three Phase Capacitor Load KVAR

Voltage	540A	600A
200/208V	132/136	147/153
220/240V	144/160	162/177
380/415V	252/276	279/306
440V	292	324
460/480V	304/320	339/354
575V	380	423
600V	400	444
660/690V	-	486/510
1,000V	-	734
1,500V	-	1,110

** Coil Voltage



NOTES:

¹ Consult factory for certifications and approvals.

As one of the most demanding industries for rugged duty, mining equipment requires reliable power switching and motor-starting solutions to ensure dependable productivity in harsh environments. Joslyn Clark vacuum contactors are recognized by the leading coal-mine machine builders for applications on long-wall mining equipment, continuous miners, conveyors, power centers and other related equipment.

We developed the 1,140 Volt Vacuum Contactor Series, to meet the specific needs of our partners in the mining industry. In addition to meeting those power requirements, the heavy duty vacuum contactor offers several other benefits including the smallest footprint of all Joslyn Clark vacuum contactors.

This rugged contactor can be mounted in any plane and is front accessible. It also features a long electrical life and the kind of durability and reliability you've come to expect from Joslyn Clark vacuum contactors. Whatever your requirements, Joslyn Clark has the contactor and motor-starting system solutions to meet your needs.

Features

- Designed to Standards IEC 60947-4, CSA22.2 & UL508
- Heavy Duty Mining Design
- Standard contactor includes 2NO & 2NC Aux. Contacts
- Optional contactor includes 4NO & 4NC Aux. Contacts
- Visual ON/OFF indicator
- Visual wear indicator
- Line & Load Terminal Hex Bolts
- Mounts in any plane



HEAVY DUTY VACUUM CONTACTOR

1140 Series



Specifications

Catalog Numbers	CV77U033A12-**
-----------------	----------------

Power Ratings Enclosed	
Rated Insulating & Operating Volt	1,140V
Rated Operating Current - AC1	330A at 40C; 300A at 60C
Rated Operating Power - AC3	428KW/1140V
Rated Operating Power - AC4	140KW/1140V
Rated impulse withstand voltage	8,000V
Rated Frequency	50-60Hz
Making Current	3,000A
Breaking Current	2,400A
Dielectric Strength	6000V (1 Minute per Interrupter)
Interrupting Current	3,000A
Short Time Withstand Current (50ms)	10,000A
Short Time Current (1s)	6,000A
Short Time Current (10s)	2,400A
Mechanical Life - No Load	1,200,000 cycles
Electrical Life at Rated Current (AC3 Duty Cycles)	1,000,000 cycles
Switching Frequency	600 cycles per hour
Max Chopping Current	0.9A
Operating Range at Rated Voltage	-30% + 25% at Range Voltage
Closing Power/Duration	1680VA <100ms
Holding Power	3.6VA
Average Opening Time (Drop out)	160 ms
Average Closing Time (Pick up)	20-40 ms
Average Pick-Up at Rated Voltage	≤75%
Average Drop-Out at Rated Voltage	≤70%

Application Ratings	
Mounting Installation	All Planes (Contactor only)
Altitude	Up to 6600 ft. (2000 m)
Operating Temperature	-13°F (-25°C) +140°F (60°C)
Vibration / Shock	10-50Hz - 2G/30G
Weight	17 lbs. (7.71 kg.)
Auxiliary Contacts	2 N.O. & 2 N.C. (standard); 4 N.O. & 4 N.C. (optional)

Coil Voltages

Suffix	Coil Voltage
-11	110VAC 50/60Hz
-22	220VAC 50/60Hz

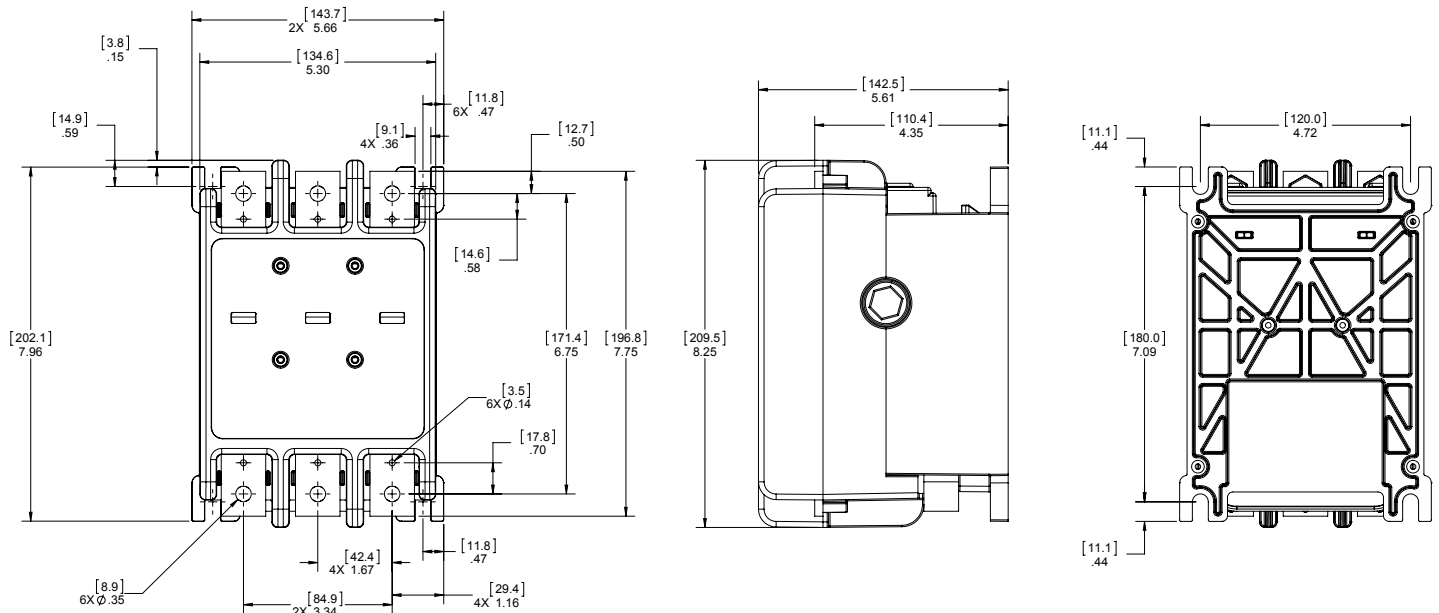
Motor HP/KW AC3¹

Voltage	300A
200/208V	100/75
220/240V	100/75
380/415V	150/112
440V	200/149
460/480V	200/149
575V	250/187
600V	300/224
660/690V	300/224
1,140V	500/373

NOTES:

¹ Suitable for use on a circuit capable of delivering not more than 10,000 rms. symmetrical amperes.

** Coil Voltage



The Joslyn Clark USAVAC VC Series vacuum contactors are ideal for applications from 200V to 3,600V and motor ratings for 50HP to 3700HP depending on voltage. This series features the smallest footprint of all 3.6kV vacuum contactors.

- 3600V, 3 Phase, 600A Vacuum Contactor Rated 2,400HP/2,300V and 3,700HP/3,300V
- 1,500V, 3 Phase, 320A Vacuum Reversing Contactor Rated 250HP/460V and 850HP/1,500V

VC Series Contactors incorporate many useful features to insure ease of maintenance, versatility, and reliability. The contactor can be assembled or dismantled without the use of any tools.

The control module contains the coil and auxiliary contacts wired to a terminal block and is easily removed for checking or immediate replacement. The phase assembly is a vacuum interrupter containing the power switching contacts.



Features

- Front Accessible
- Mounts in any plane
- Tamper resistant, dust protected auxiliary contacts
- Quiet Operation
- Compact, Lightweight
- Self-adjusting power contacts
- Energy efficient control module
- Fully phase insulated
- Rugged modular construction



LOW & MEDIUM VOLTAGE VACUUM CONTACTOR

VC Series



Specifications

Catalog Numbers ³			
1,500V	VC77U03415-**	VC77U03515-**	VC77U03615-** 2
3,600V	VC77U03436-**	VC77U03536-**	VC77U03636-** 2

Power Ratings Enclosed			
Rated Insulating & Operating Voltage	1500V-3600V ¹		
Rated Operational Current	160A	320A	600A
Rated Frequency	50-400Hz		
Making Current	1,600A	3,200A	6,000A
Breaking Current	1,600A	3,200A	6,000A
Dielectric Strength / B.I.L.	10,100V (1 min. per Interrupter) / 45kV		
Interrupting Current	4,400A	5,000A	6,000A
Withstand Current	30,000A-3Hz.		
Short Time Current 1 Sec.	5,000A	7,000A	9,000A
Short Time Current 2 Sec	2,000A	5,000A	7,000A
Mechanical Life - No Load	2,000,000 cycles		
Electrical Life at Rated Current (AC3 Duty)	1,000,000 cycles		
Switching Frequency	600 cycles per hour		
Max Chopping Current	0.9A		
Operating Range at Rated Voltage	+10% -25%		
Closing Power / Duration	950VA/17ms	950VA/17ms	1,900VA/17ms
Holding Power	9VA	9VA	18VA
Average Opening Time (Drop out)	90ms at 60Hz		
Average Closing Time (Pick up)	17ms at 60Hz		
Average Pick-Up at Rated Voltage	≤75%		
Average Drop-out at Rated Voltage	≤70%		
Recommended Control Transformer	250VA	250VA	500VA

Application Ratings	
Mounting Installation	All Planes (Contactor only)
Altitude	6600 ft. (2000 Meters)
Operating Temperature Range	-40°F (-40°C) +122°F (50°C)
Vibration / Shock	40Hz - 2G. / 30G.
Weight	17 lbs. (7.71 kg) 17 lbs. (7.71 kg) 35 lbs. (15.88 kg)
Auxiliary Contacts	2 sets of Form C Contacts ⁴

Coil Voltages

Suffix	Coil Voltage
-76	110/120VAC 50/60Hz
-26	220/240VAC 50/60Hz
-125	125VDC
-250	250VDC

Motor HP/KW AC3

Voltage	160A	320A	600A
230V	60	125	200
460V	125	250	400
1,000V	250	500	1000
1,500V	400	800	1500
2,300V	600	1200	2250
3,300V	800	1750	3175

Three Phase Transformer Load KVA

Voltage	160A	320A	600A
230V	60	120	225
460V	120	225	450
1,000V	250	500	975
1,500V	375	750	1450
2,300V	600	1200	2250
3,300V	850	1700	3250

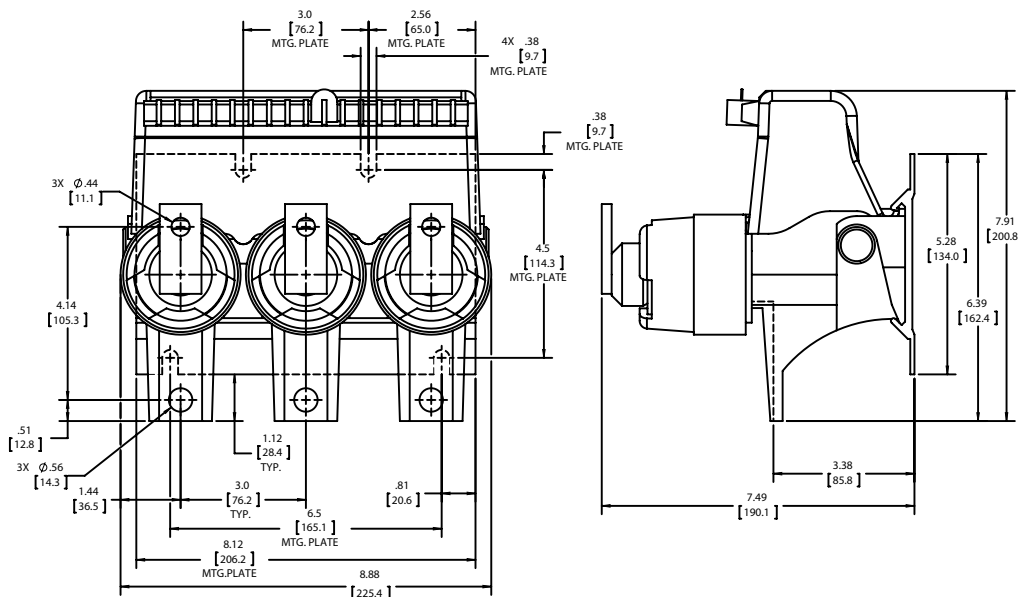
Three Phase Capacitor Load KVAR

Voltage	160A	320A	600A
230V	45	90	170
460V	90	180	340
1,000V	195	390	720
1,500V	290	580	1050
2,300V	435	870	1650
3,300V	625	1250	2350

NOTES:

- 3600V Model has a B.I.L. rating of 45 kV and an interrupt rating of 4000A.
- Contact factory for dimensions and outline drawings.
- Consult factory for certifications and approvals.
- Excluding DC Coil Voltages

** Coil Voltage



NOTE:
1. ALL DIMENSIONS IN INCHES (mm)

The Joslyn Clark USAVAC medium voltage vacuum contactors are ideal for applications for 2300V to 7200V. Current ratings of 200A to 1200A, and motor ratings up to 7000HP at 6600V are available.

The MVC Series features in-line power terminals and alternating terminal position to enable line and load termination to be on same side of contactor. This series is ideal for dropout starter designs and can be easily converted.

The MVC Series Medium Voltage Vacuum Contactors offer many unique features to create easy maintenance, dependability and versatility. The modular design allows for a simplified assembly and easy inspection, utilizing minimum parts.

The control module contains the coil and auxiliary contacts, which can easily be removed for inspection or replacement.



Features

- Front Accessible
- Panel mount or table mount
- Field selectable power terminals
- Full phase insulated, B.I.L. 60kV
- Rugged design
- Compact, Lightweight
- Low Maintenance
- Self-adjusting power contacts



MEDIUM VOLTAGE VACUUM CONTACTOR

MVC Series



Specifications

Catalog Numbers ^{1,2}			
2,500V	MVC77U032A25-**	MVC77U034A25-**	MVC77U036A25-**
5,000V	MVC77U032A50-**	MVC77U034A50-**	MVC77U036A50-**
7,200V	MVC77U032A72-**	MVC77U034A72-**	MVC77U036A72-**

Power Ratings Enclosed			
Rated Operational Current	200A	400A	600A
Rated Frequency	50/60Hz		
E1 Interrupt Rating MVA & KA Values Contactor Only	2,500V - 20 MVA equivalent to 4.62KA 5,000V - 40 MVA equivalent to 4.62KA 7,200V - 60 MVA equivalent to 4.62KA		
E2 Fuse Coordination (5000V)	400 MVA 45.7 KA RMS (38R max. fuse size)		
Peak Withstand Current (5000V)	57.8 KA - Peak (38R max. fuse size); 50 KA (24R max. fuse size)		
Short Time Current (1s)	6,000A	7,000A	9,000A
Short Time Current (5s)	4,000A	5,000A	6,000A
Short Time Current (15s)	2,000A	2,600A	3,000A
Switching Frequency	300 cycles per hour		
Elec. Life at Rated Current	600,000 cycles	400,000 cycles	250,000 cycles
Mechanical Life - No Load	750,000 cycles		
Dielectric Strength / B.I.L.	20,000V (1 min. per Interrupter) / 60kV		
Max Chop Current	0.9A		
Operating Range at Rated Voltage	+10% -15%		
Closing Power VA/Duration	650VA / 45ms		
Holding Power	7VAC / 0.47VDC		
Average Opening Time (Drop out)	90ms		
Average Closing Time (Pick up)	40ms		
Average Pick-Up at Rated Voltage	≤85%		
Average Drop-out at Rated Voltage	≤70%		
Recommended Control Transformer	300VA	600VA	

Application Ratings	
Mounting Installation	All Planes (Contactor only)
Altitude	6600 ft. (2000 Meters)
Operating Temperature Range	32°F (0°C) +122°F (50°C)
Vibration / Shock	40Hz - 2G. / 30G.
Weight	56 lbs. (25.4 kg)
Auxiliary Contacts	2 N.O. & 2 N.C. (standard); 4 N.O. & 4 N.C. (optional) ³

Coil Voltages

Suffix	Coil Voltage
-76	110/120VAC 50/60Hz
-26	220/240VAC 50/60Hz
-125	125VDC
-250	250VDC

Motor HP/KW AC3

Voltage	Power Factor	200A	400A	600A
2,500V	0.8	800	1,625	2,500
2,500V	1.0	1,000	2,000	3,000
3,300V	0.8	1,050	2,125	3,175
3,300V	1.0	1,350	2,750	4,000
4,160V	0.8	1,350	2,750	4,000
4,160V	1.0	1,625	3,350	5,000
6,600V	0.8	2,125	4,250	6,000
6,600V	1.0	2,750	5,500	8,000

Three Phase Transformer Load KVA

Voltage	200A	400A	600A
2,500V	800	1,600	2,400
3,300V	1,000	2,100	3,200
4,160V	1,350	2,700	4,100
6,600V	2,100	4,300	6,500

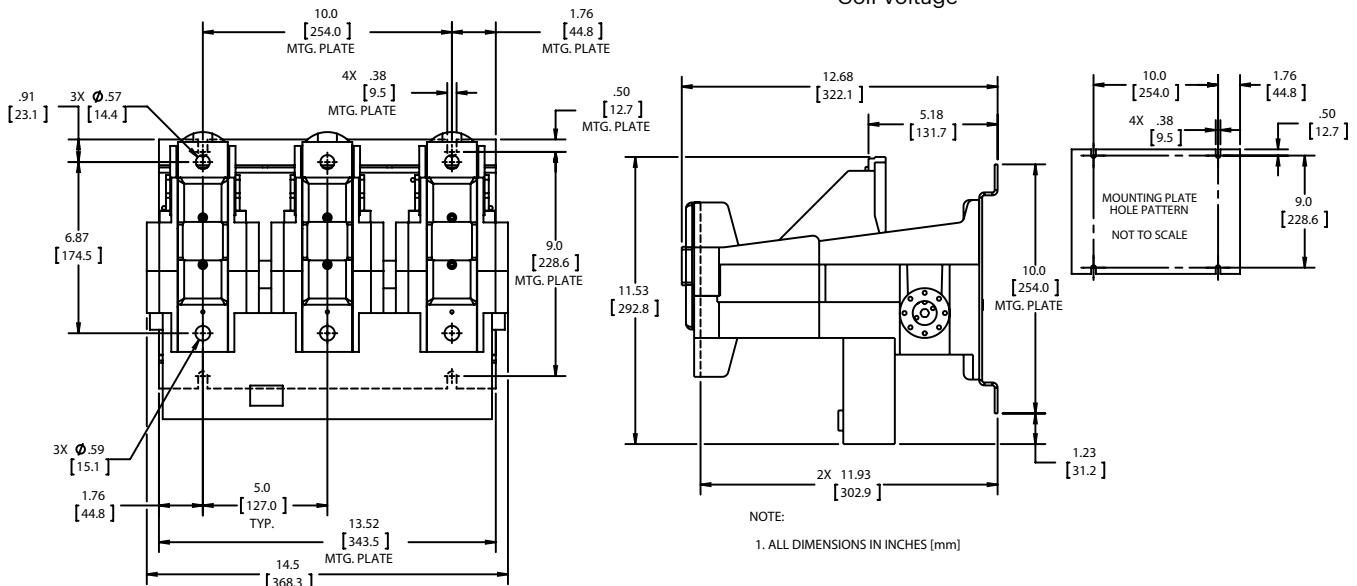
Three Phase Capacitor Load KVAR

Voltage	200A	400A	600A
2,500V	550	1,100	1,650
3,300V	750	1,500	2,250
4,160V	1,000	2,000	3,000
6,600V	1,500	3,000	4,500

NOTES:

- Consult factory for mechanically latching, interlocked, or custom configurations.
- Consult factory for certifications and approvals.
- Excludes DC Voltages.

** Coil Voltage



Joslyn Clark is recognized as the premier supplier of vacuum contactors by the leading switchgear and Variable Frequency Drive manufacturers.

The 12kV 630 Amp Vacuum Contactor provides long service life and a wide voltage range to effectively control medium voltage motors, transformers, reactive compensation capacitors, and other heavy duty equipment.

The 12kV SVC Series features an anti-surge impulse for single or back-to-back capacitor switching for improved operation.

This series delivers the reliability and the ruggedness needed for demanding industries, including metallurgy, mining, electrical, petro-chemical, and ports.

Designed to Standards
IEC 60470 | GB/T 14808 | GB 11022



Features

- High Current Capacity
- 3-Phase synchronization $\leq 2\text{ms}$
- Long product life
- Mechanically latched, electrically held



SPECIAL PURPOSE VACUUM CONTACTOR

SVC Series



Specifications

Catalog Numbers	SVC77U034A120-**	SVC77U036A120-**
-----------------	------------------	------------------

Power Ratings Enclosed	
Rated Insulating & Operating Voltage	12,000V
Rated Operational Current	400A 630A
Rated Frequency	50-60Hz
Making Current	4,000A 6,300A
Breaking Current	4,000A 6,300A
Dielectric Strength / B.I.L.	4,200V (1 minute per interrupter) / 75kV
Short Time Withstand Current (4s)	4,000A 6,300A
Single Capacitor Switching Capacity	3,500 KVAR
Impulse Withstand Voltage Uimp	75,000V
Mechanical Life - No Load	300,000 cycles
Electrical Life at Rated Current (AC3 Duty)	200,000 cycles
Switching Frequency	100 cycles per hour
Operating Range at Rated Voltage	+10% -20%
Average Opening Time (Drop out)	80ms
Average Closing Time (Pick up)	80ms
Average Drop-out at Rated Voltage	≤50%
Chopping Current	3A
Closing Power	1200VA Average
Holding Power	50VA Average

Application Ratings	
Altitude	Up to 6,500 ft. (1,981 m)
Operating Temperature Range	5°F (-15°C) +104°F (40°C)
Relative Humidity	90% (at 77°F)
Weight	81 lbs. (36.74 kg)

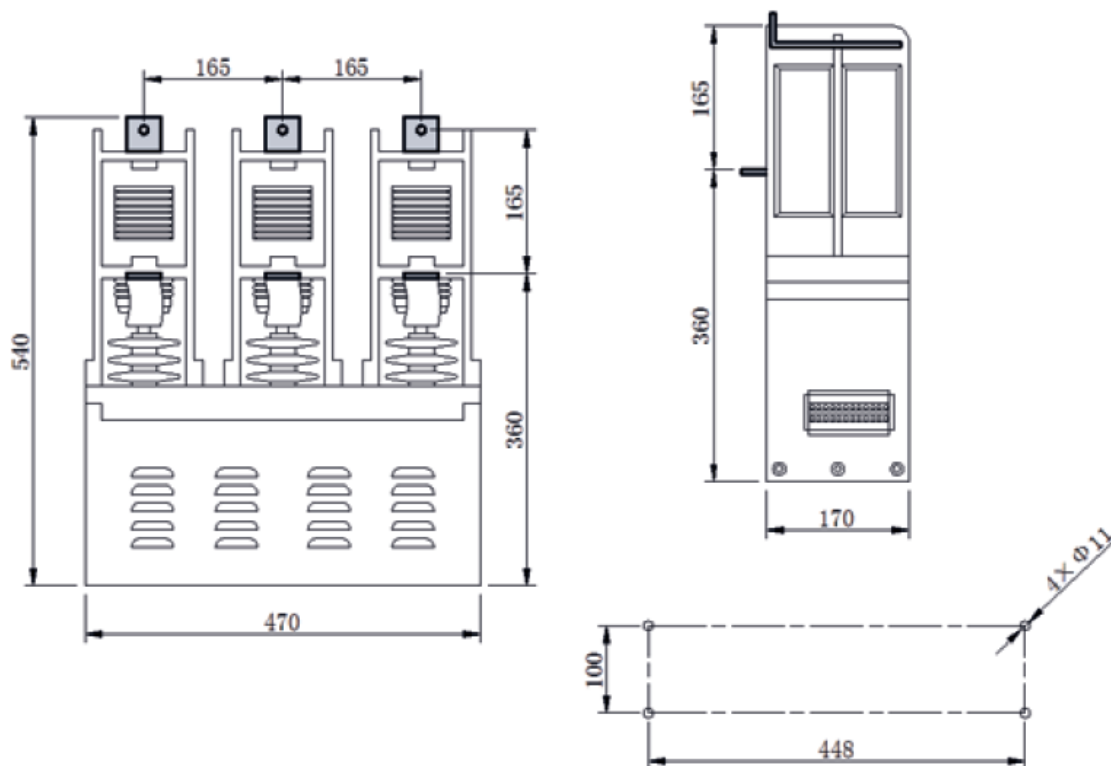
Coil Voltages

Suffix	Coil Voltage
-11	110VAC 50/60Hz
-22	220VAC 50/60Hz

Motor HP/KW AC3

Voltage	400A	630A
10,000V	6,000/4,950	10,000/7,850
11,000V	7,000/5,450	11,000/8,600
12,000V	8,000/5,950	12,000/9,400

** Coil Voltage





VC Series Framework



MVC Series Framework

VC Series Framework

Voltage	1,500V Open Type	3,600V Open Type
---------	------------------	------------------

1 Pole, Single Phase

Ampere Rating	Catalog Numbers	
450A	SVC77U014515- **	SVC77U014536- **
1,000A	SVC77U011015- **	SVC77U011036- **
1,500A	SVC77U011515- **	SVC77U011536- **
2,500A	SVC77U012515- **	SVC77U012536- **

2 Pole, Single Phase

Ampere Rating	Catalog Numbers	
450A	SVC77U024515- **	SVC77U024536- **
1,000A	SVC77U021015- **	SVC77U021036- **
1,500A	SVC77U021515- **	SVC77U021536- **

3 Pole, Three Phase

Ampere Rating	Catalog Numbers	
1,000A	SVC77U031015- **	SVC77U031036- **

****** Coil Voltage

Coil Voltages

Suffix	Coil Voltage
-76	120VAC 50/60Hz
-26	240VAC 50/60Hz

MVC Series Framework

Voltage	2,500V Open Type	5,000V Open Type	7,200V Open Type
---------	------------------	------------------	------------------

1 Pole, Single Phase

Ampere Rating	Catalog Numbers		
1,000A	SVC77U011025- **	SVC77U011050- **	SVC77U011072- **
1,500A	SVC77U011525- **	SVC77U011550- **	SVC77U011572- **
2,000A	SVC77U012025- **	SVC77U012050- **	SVC77U012072- **
3,000A	SVC77U013025- **	SVC77U013050- **	SVC77U013072- **

2 Pole, Single Phase

Ampere Rating	Catalog Numbers		
200A	SVC77U022A25- **	SVC77U022A50- **	SVC77U022A72- **
400A	SVC77U024A25- **	SVC77U024A50- **	SVC77U024A72- **
600A	SVC77U026A25- **	SVC77U026A50- **	SVC77U026A72- **
1,000A	SVC77U021025- **	SVC77U021050- **	SVC77U021072- **
1,500A	SVC77U021525- **	SVC77U021550- **	SVC77U021572- **

3 Pole, Three Phase

Ampere Rating	Catalog Numbers		
800A	SVC77U038A25- **	SVC77U038A50- **	SVC77U038A72- **
1200A	SVC77U031225- **	SVC77U031250- **	SVC77U031272- **

****** Coil Voltage

Advantages

Long Mechanical Life

Up to 3 million operations at 30 operations per day. . Life expectancy of approx. 274 years.

Long Electrical Life

Up to 1 million operations at 30 operations per day. Life expectancy of approx. 91 years.

Low Maintenance

No special maintenance skills or adjustments required

Minimal Downtime

Important in 24 hours operating processes

Arc Containment

No ionized gases reducing risk of flash overs.

Weld Free

Minimal contact bounce, low arc energy and temperatures minimizes risks of contact welding

Impervious to Environment

Contacts sealed from atmospheric contamination such as H₂S Chlorine, dust, salt atmospheres, etc.

High Cycle Duty

Up to 1200 operations/hour

Rugged, Compact, Quiet & Lightweight

Smaller, quieter than conventional air break contactors

Simple Design That Mounts In Any Plane

Ideal for small tight packaging electrically held contactor circuit

Industrial Users

Petro Chemical plants and refineries
Petro Chemical transportation - pipelines
Saw Mills
Steel Mills
Water Sewage Treatment Plants
Solar Panels
Electrical Utilities
Cement Plants
Tire and Rubber Plants
Oil Pumping
Surface Mining Equipment
Induction Heating - Furnaces
Hazardous Area Flameproof Equipment
Crane Control
Panel Builders
Transfer Switches
Mining Shovels
Conveyors & Crushers
Wood Chippers

Petro Chemical exploration and pumping facilities
Paper Mills
Textile Mills
Underground for Coal and Minerals Mining
Tunnel Boring Machines
Material Handling
Locomotive Transportation
Electronic Soft Starters
Water Pumping Irrigation
AC and DC Drives, Power Supplies & Traction
Underground Mining Equipment
Capacitor Switching - Power Factor Correction
Air Handling - Compressor Equipment
MCC Manufacturers
Harmonic Filters
Lighting
Drag Lines
Wind Turbines
Bucket Wheel Excavators

A History of Setting the Standard by Which Others Are Measured

As the world leader in vacuum contactors and starters, we are dedicated to continually raising the bar for industry standards of in life safety.

Dating back to the 1920's, Joslyn Clark began as the Clark Controller Company. Instantly recognized as a pioneer of innovation and quality, Clark products were recognized for their advanced design and reliability. Although our name has changed through the years, our commitment to excellence, unrivaled safety and reliability has not.

We currently maintain a state-of-the-art manufacturing facility in Elizabethtown, NC. Our long history of loyalty and commitment is reflected in our employees, many of whom were on the original development team for some of our products, and are still with us today as we continue to refine and implement new improvements and innovations every year. This culture of low turnover and long term dedication is one of the ways we've been able to build and incorporate so much innovation and long lasting quality into our products.

For more information, visit us online at www.joslynclark.com

Joslyn Clark 

www.joslynclark.com

Contactors

Starters

Rheostats

Relays

Push Buttons

Selector Switches

Limit Switches

