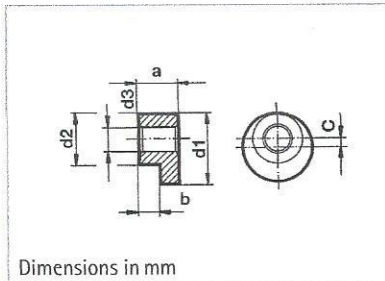


Accessories, Mounting

CLAMPING ECCENTRIC

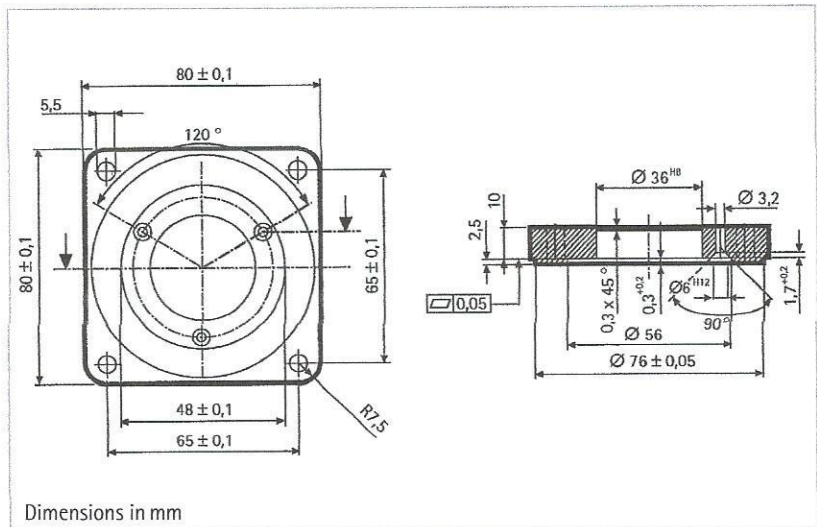
Material CuZn39Pb3 Surface nickel-plated Set of three
Suitable for encoders with synchro flange type RI 30, RI 36, RI 58, RA 58

	ød1	ød2	ød3	a	b	c
Ordering code 0 070 655 (RI 58, RA 58)	8.9	6.5	3.2	4.9-0.1	2.9-0.1	1.2
Ordering code 0 070 657 (RI 30, RI 36)	6.8	5	2.8	4.4-0.1	2.9-0.1	0.9



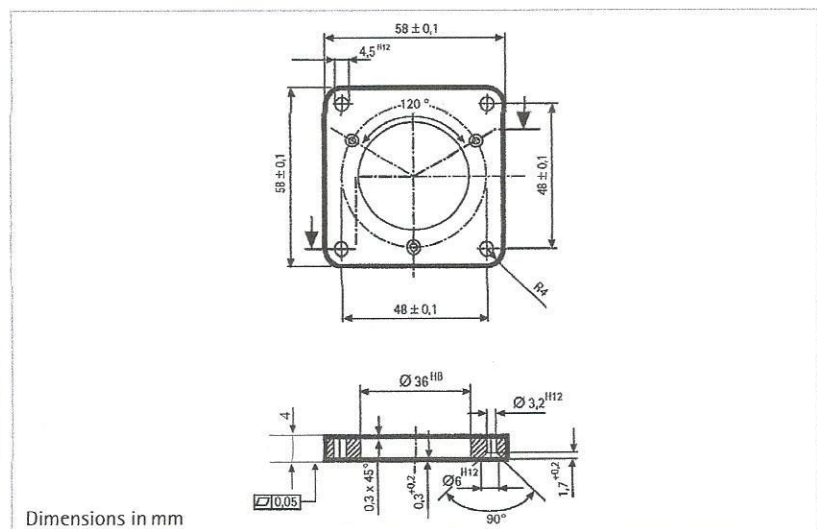
Dimensions in mm

SQUARE FLANGE ADAPTER
80 x 80 mm for clamping flange
RI 58, RA 58
(fastening material included)
Ordering code 1 522 327



Dimensions in mm

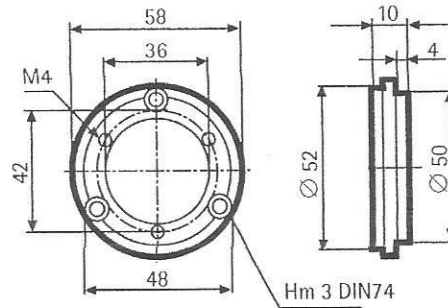
SQUARE FLANGE ADAPTER
58 x 58 mm for clamping flange
RI 58, RA 58
(fastening material included)
Ordering code 1 522 326



Dimensions in mm

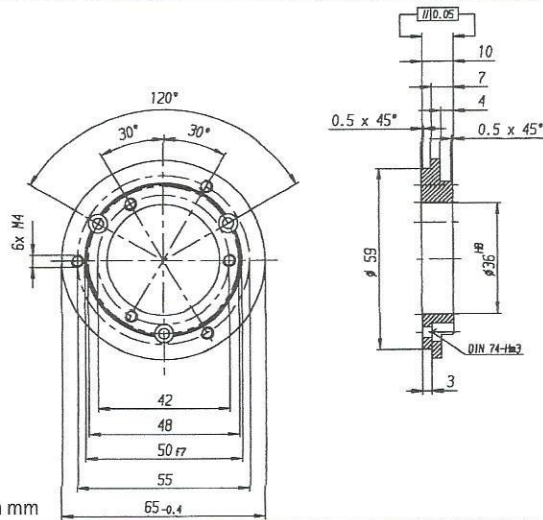
Accessories, Mounting

SYNCHRO FLANGE ADAPTER
for clamping flange RI 58, RA 58
(fastening material included)
Ordering code 1 522 328



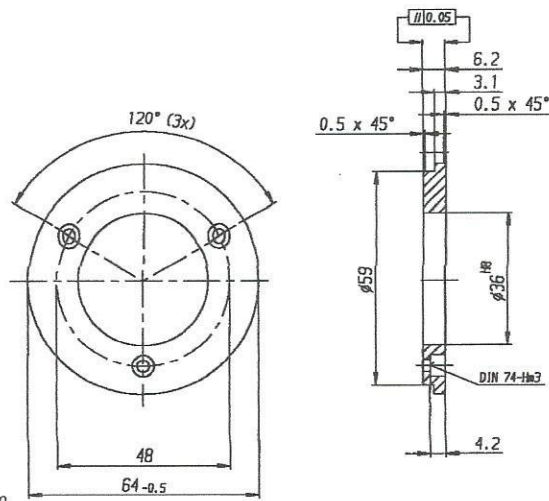
Dimensions in mm

SYNCHRO FLANGE ADAPTER
for clamping flange RI 58
(same dimensions as TR HE 65)
(fastening material included)
Ordering code 1 522 542



Dimensions in mm

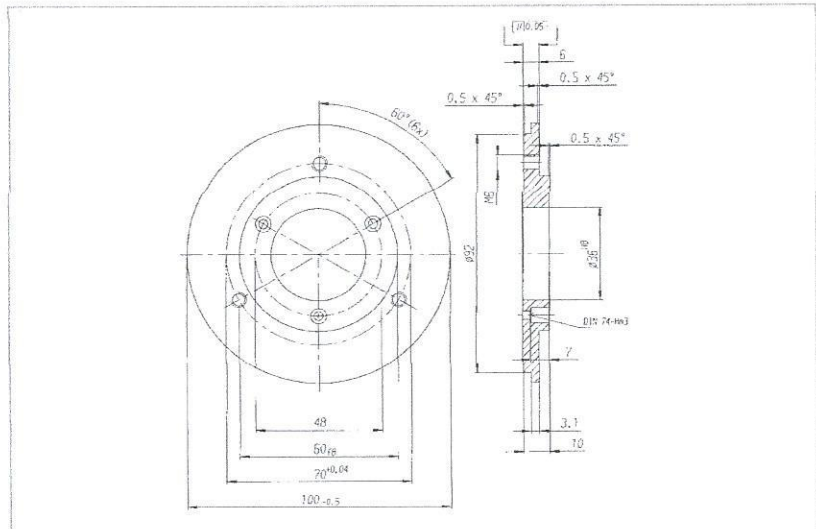
SYNCHRO FLANGE ADAPTER
for clamping flange RI 58
(same dimensions as AG 661)
(fastening material included)
Ordering code 1 522 547



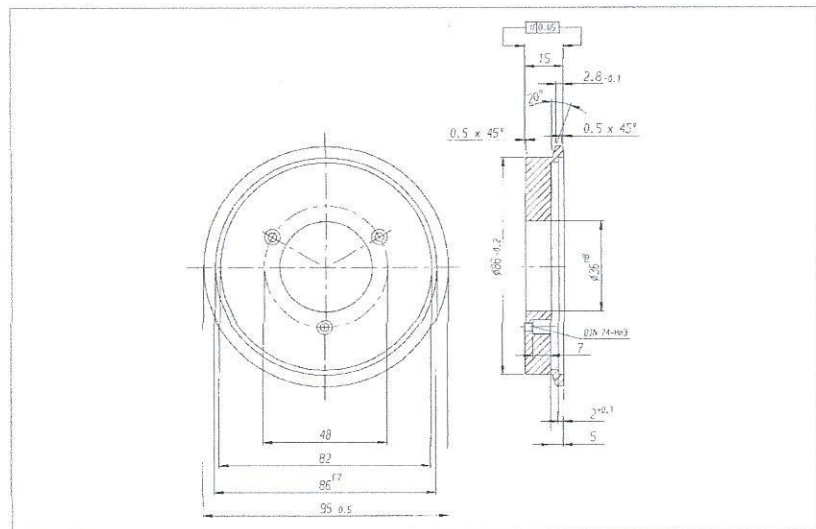
Dimensions in mm

Accessories, Mounting

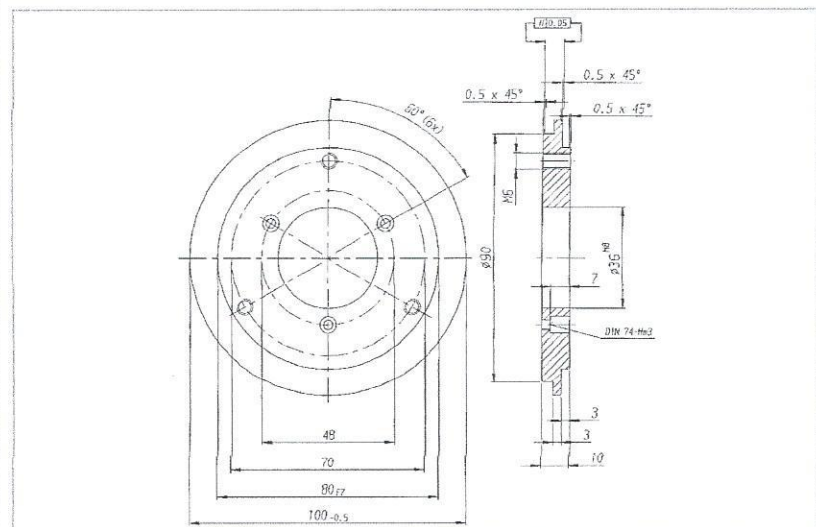
SYNCHRO FLANGE ADAPTER
for clamping flange RI 58
(same dimensions as AG 100/110)
(fastening material included)
Ordering code 1 522 548



PROFILE FLANGE ADAPTER
for clamping flange RI 58
(same dimensions as AG 101/110)
(fastening material included)
Ordering code 1 522 543



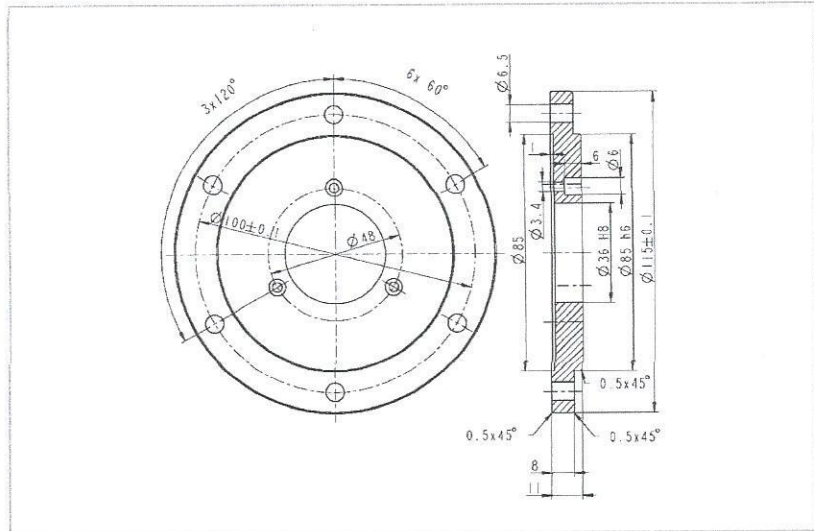
SYNCHRO FLANGE ADAPTER
for clamping flange RI 58, RA 58
(same dimensions as TR CE 100)
(fastening material included)
Ordering code 1 522 745



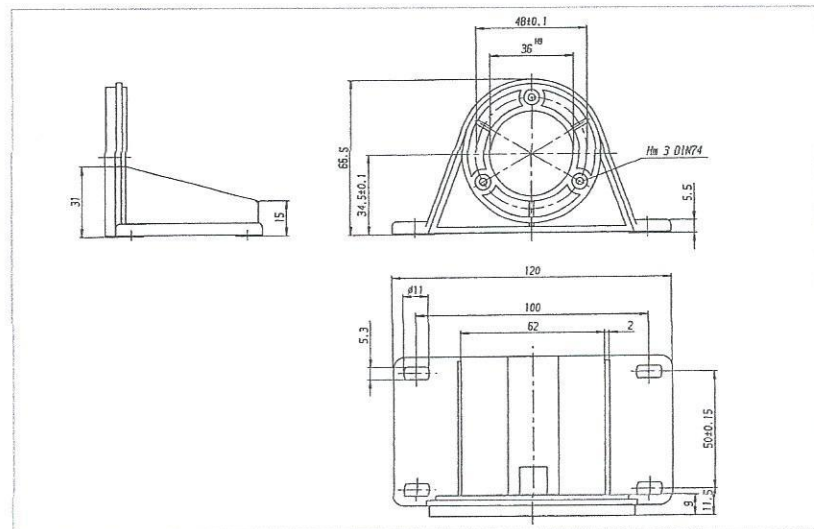
Further flange adapters on request

Accessories, Mounting

FLANGE ADAPTER
 for clamping flange RA 58
 (same dimensions as Geima RAD 5)
 (fastening material included)
 Ordering code 1 540 336



ANGLE BRACKET (PLASTIC)
 for clamping flange RI 58, RA 58
 (fastening material included)
 Ordering code 1 522 329



MOUNTING BELL (PLASTIC)
 for Synchro flange RI 58, RA 58
 (clamping eccentric and fastening
 material included)
 Ordering code 1 522 330

