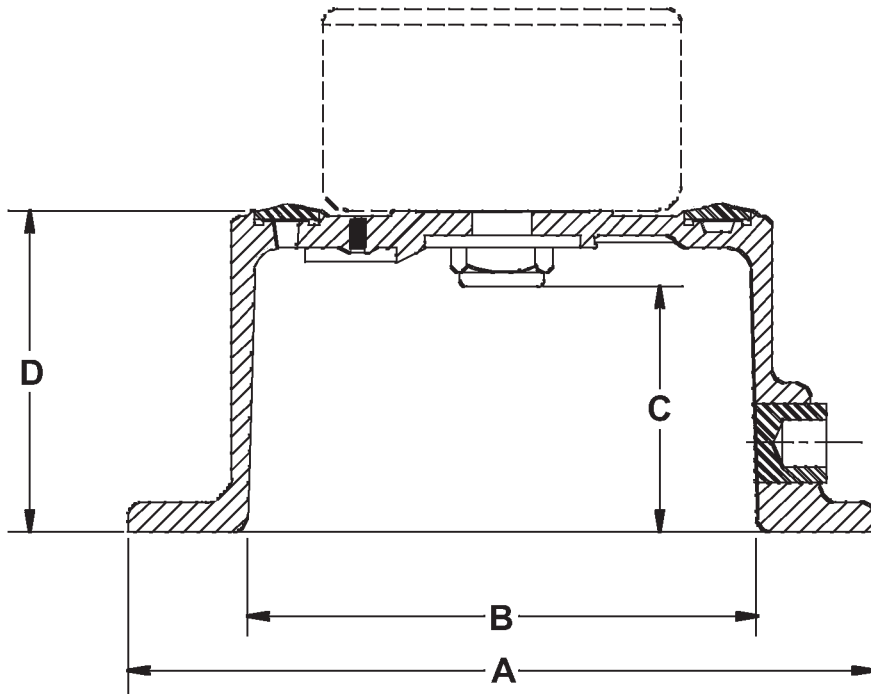
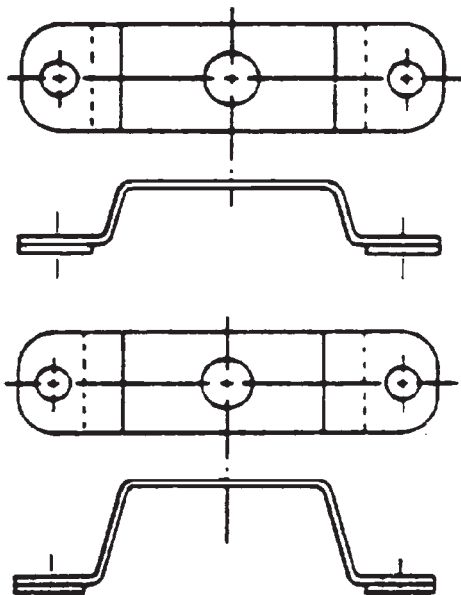


## **V** **R** HUBODOMETER MOUNTING HUBCAPS



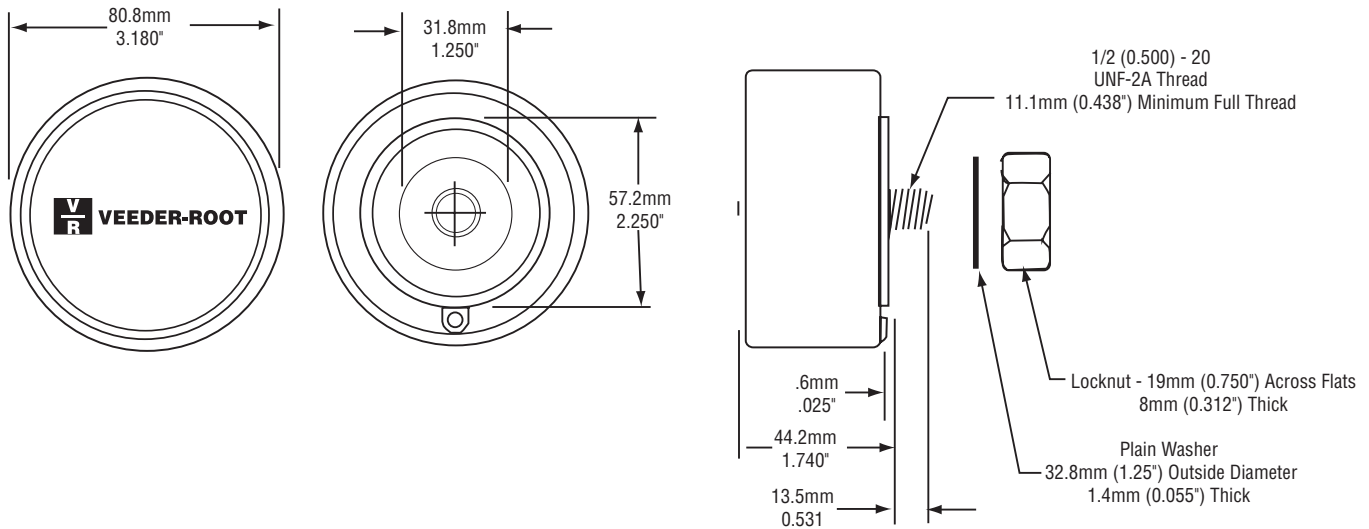
Bolt Circle (in.)	No. of Bolts	Dim. A (in.)	Dim. B (in.)	Dim. C (in.)	Dim. D (in.)	Hubcap and Gasket Kit Part No.
5-1/4	5/16 5	6-5/16	4-1/2	1-11/16	3-7/8	325886-209
5-1/2	5/16 6	6-5/16	4-1/2	1-11/16	3-7/8	325886-214
5-1/4	5/16 5	6-5/16	4-1/2	1-11/16	3-7/8	325886-250 (Grease Cap)
Threaded 6-14 x 8				1-9/16	4-1/8	325886-222
Threaded 6-14 x 8				1-9/16	4-1/8	325886-251 (Grease Cap)

## **V** **R** HUBODOMETER MOUNTING BRACKETS



Bolt Circle Dia. (in.)	Stud Size (in.)	Part No.
Universal Bracket		325614-101
7	5/8	325614-107
7	3/4	325614-108
7-1/4	9/16	325614-109
Over Hubcap Bracket 5-1/2 x 3-1/2	5/16	325614-012

# HUBODOMETER DIMENSIONS



# HUBODOMETER INSTALLATION INSTRUCTIONS

**A. MOUNTING.** Hubodometers can be mounted on a Veeder-Root bracket or hub cap. Concentricity of the hubodometer to axel must be within 0.062" (1.6mm).

**B. INSTALLATION.** Install the hubodometer as follows:

1. Insert the hubodometer mounting stud into the mounting hole.
2. Install the washer over the stud and secure with the lock nut.
3. Torque the nut to 18 to 22 lb-ft. (24 to 30 N-m) maximum.
4. If installation is on a Veeder-Root bracket, install bracket per provided instructions.
5. Refer to instructions provided with hubodometer for additional procedures.
6. Consult Veeder-Root regarding any unusual application, installation, or possible modification of this basic design.

**C. CLEANING.** Use a mild detergent and water to clean the hubodometer's crystal front.

**NOTE.** To calculate the number of revolutions per mile of your tire.

1. Measure the distance from the center of the hub to the ground.
2. Double that number (X2) and then multiply the result by 3.1416. Divide this result by 12.
3. Divide the number 5280 by the result from step #2 (5280 ÷ #2 result). This will provide the number of revolutions your tire will make per mile.
4. For revolutions per kilometer multiply calculated revolutions per mile by 0.621.