

# tico 734



## MODEL OVERVIEW

### Preset Counter (0 734 007)

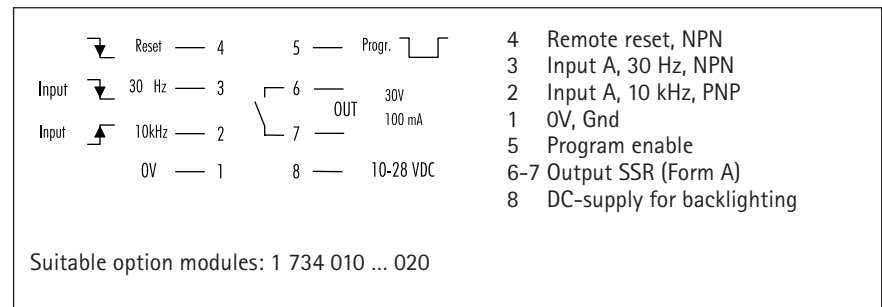
7 digit, programmable for up or down counting, SSR relay output, preset lock function, reset key can be enabled/disabled

## Flexible Counter Series in DIN size 36 x 72 mm

- LCD display, 8 digits, 12 mm height, excellent contrast through
- Backlighting with a 10-28 VDC supply
- Lithium battery power supply
- Decimal point, input scaling, count direction, output mode, etc. programmable, depending on model
- Programming reduced to a minimum for easy handling and set-up
- CE approval, IP 65, NEMA 4
- Suitable for TTL
- Mounting depth 29 mm

The family **tico 734** consists of ten models:

- 0 734 000 Totalizer without scaling
- 0 734 001 Add/Subtract totalizer
- 0 734 002 Position indicator
- 0 734 003 Tachometer
- 0 734 004 Programmable rate meter
- 0 734 005 Rate meter with totalizer
- 0 734 006 Time counter
- 0 734 007 Preset counter
- 0 734 008 Time preset counter
- 0 734 009 Rate meter 005; with total and pulsed output



## Power Supply

Internal Single or dual lithium 3 V battery (CR 1/2 AA), typical life time of 5 years (10 yrs w/2 batteries). „Lo BAT" display flashes approximately 2 weeks prior to end of battery life.

## Display

via Option Module 120/240 VAC provides 12 VDC for display backlighting

Display LCD, 12 mm height, 8 digits

Backlighting Whole display area can be backlit with a 10-28 VDC supply, green-yellow colour

## Count Inputs

High Speed Input (2) PNP,  $\leq 28$  VDC, max. 10 kHz (50% duty cycle), Low  $< 1.0$  V, High  $> 2.0$  V, impulse  $> 45$   $\mu$ s, impedance 1 M $\Omega$

Low Speed Input (3) NPN,  $\leq 28$  VDC, max. 30 Hz (50% duty cycle), Low  $< 1.0$  V, High  $> 2.0$  V, impedance 1 M $\Omega$

High Voltage Option Module 100..260 VAC/DC, 30 Hz, 1 M $\Omega$ , with internal connection to input (3)

Low Voltage Option Module 5..30 VAC/DC, 30 Hz, 17 k $\Omega$ m, with internal connection to input (3)

## Control Inputs

Enable Input (5) NPN,  $\leq 28$  VDC, level sensitive

Reset Input (4) NPN,  $\leq 28$  VDC, edge triggered, max. 30 Hz (50% duty cycle)

## Output

SSR Relay Photo mos relay, 0.1 A, 30 VAC/DC, reaction time  $< 5$  ms

Relay Option Module Changeover contact 5 A, 120/240 VAC or 30 VDC

## Physical

Mounting Front panel mounting with mounting bracket

Dimensions DIN 36 x 72 mm, 36 mm total depth, total width 83 mm

Panel Cutout  $33^{+0,3}$  mm x  $68^{+0,3}$  mm, depth behind panel  $< 29$  mm

Panel Thickness max. 8 mm

## Environmental

Front Panel Rating IP 65

Operating and Storage Temperature  $0$   $^{\circ}$ C to  $+ 55$   $^{\circ}$ C

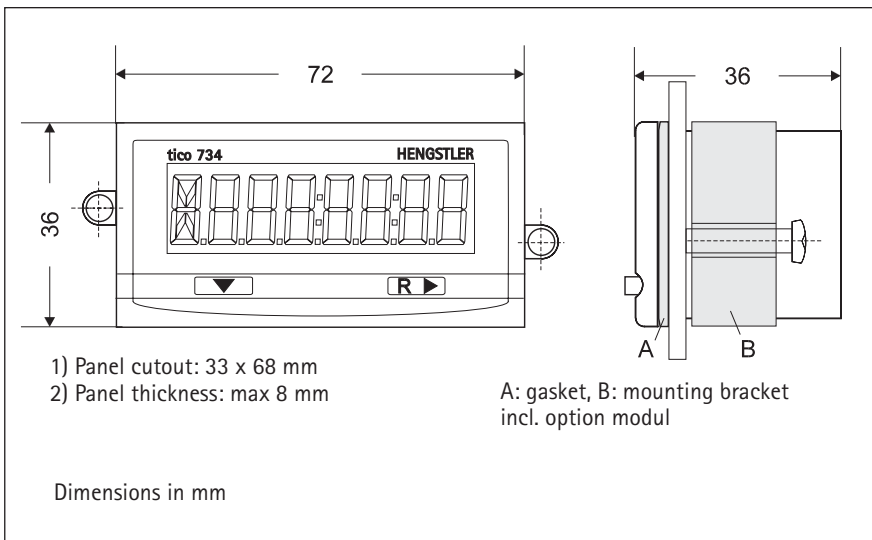
$- 20$   $^{\circ}$ C to  $+ 60$   $^{\circ}$ C

General DIN EN 61010 part 1 / VDE 0411 part 1

Protection according to class II, Contamination level 2

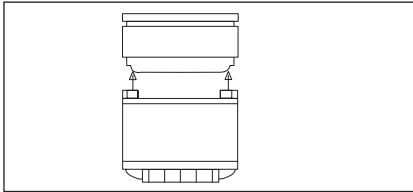
Overvoltage category II

## DIMENSIONS



# tico 734

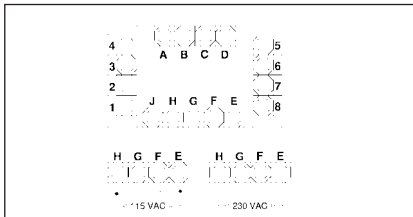
## OPTION MODULES



## FUNCTIONS OVERVIEW

## TECHNICAL DATA

## WIRING



## ORDERING INFORMATION

# Technical data

With the Option Modules, the **tico 734** can be functionally extended and adapted to special application conditions. The following option functions are available:

- AC power supply providing sensor supply 10-20 VDC / 50 mA and 12 V supply for display backlighting (supports the battery in models with SSR output)
- Relay output, changeover contact, 5 A, 120/240 VAC or 30 VDC
- High voltage input (100..260 VAC/DC, max. 30 Hz, 200 KΩ)

1734...

Connections 010 011 012 013 014 015 016 017 018 019 020

High Voltage Input	C-D	x		x	x		x			
Relay 1 x change over	A-B-J		x		x		x		x	x
AC power Supply	E-F, G-H			x		x	x			x x
Low Voltage Input	C-D							x	x	x x

Power Supply (E-H)	115 VAC or 230 VAC (see wiring), frequency 50/60 Hz. Terminal (8) provides an unregulated 10-20 VDC supply for powering sensors up to 50 mA
Relay Output (A-B-J)	Type: SPDT (Form C) mechanical relay; Operate Time: 6 ms 5A, 120/240 VAC or 30 VDC, silver alloy Electrical Life: > 500 000 operations, Mechanical Life: > 10 million operations
High Voltage Input (C-D)	Voltage Range: 100 to 260 VAC or VDC Count Speed: max. 30 Hz. (duty cycle 50 %) Minimum Pulse Width: 12 ms; Impedance: 200 kOhm
Low Voltage Input (C-D)	Voltage Range: 5 to 30 VAC or VDC Count Speed: max. 30 Hz. (duty cycle 50 %) Minimum Pulse Width: 12 ms; Impedance: 127 kOhm
Mounting	Attaching on back of instrument
Dimensions	42 x 69 mm, depth 58 mm, total depth behind panel with instrument 82 mm
Temperature	Operating: -0° C to +50° C; Storage -20° C to +60° C;
General	DIN EN 61010 part 1, Protection according to class II Contamination level 2; Overvoltage category II

All modules contain 17 terminals. The exact functions that are present are determined by the model of instrument and option module (see Functions Overview).

1-8 Connection to instrument (refer to appropriate operating instructions)

- A Normally Open Relay Contact
- B Relay Common
- J Normally Closed Relay Contact
- C-D High or Low Voltage Input, no polarity, (provides NPN signal on terminal 3)
- E-F 115 VAC Line winding I
- G-H 115 VAC Line winding II

### Panel Instruments

Totalizer	0 734 000
Add/Subtract Totalizer	0 734 001
Position Indicator	0 734 002
Tachometer	0 734 003
Programmable Rate Meter	0 734 004
Rate Meter with Totalizer	0 734 005
Elapsed Time Indicator	0 734 006
<b>Preset Counter</b>	<b>0 734 007</b>
Preset Timer	0 734 008
Rate Meter with Total and Pulsed Output	0 734 009
Lithiumbattery	E3533 355

### Option Modules

HV Input	1 734 010
Relay	1 734 011
AC Power	1 734 012
HV Input and Relay	1 734 013
HV Input and Power	1 734 014
Power and Relay	1 734 015
HV Input/Power/Relay	1 734 016
LV Input	1 734 017
LV Input and Relay	1 734 018
LV Input and Power	1 734 019
LV Input/Power/Relay	1 734 020