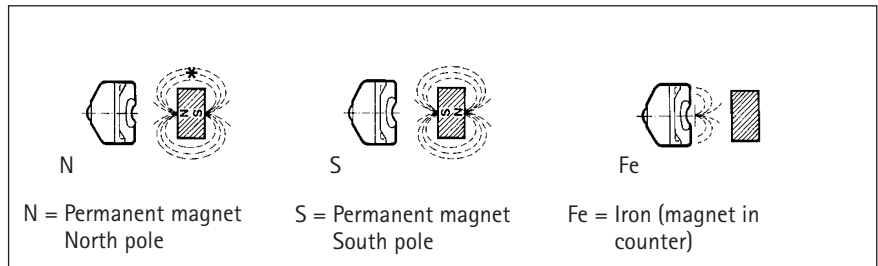


Colibri 490



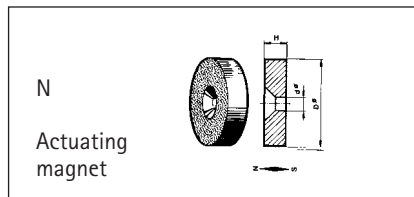
MAGNETIC ACTUATION

- Contactless counting
- Miniature size
- Simple installation
- Protection class IP 66
- Maintenance-free operation



Actuation is effected by a magnetic field. With suitable magnets it is possible to achieve actuating distances of up to 50 mm. The direction of approach of the actuating magnet is not critical. When choosing a counter, it is important to observe the correct polarity of the actuator (see Figure).

ACTUATING MAGNETS



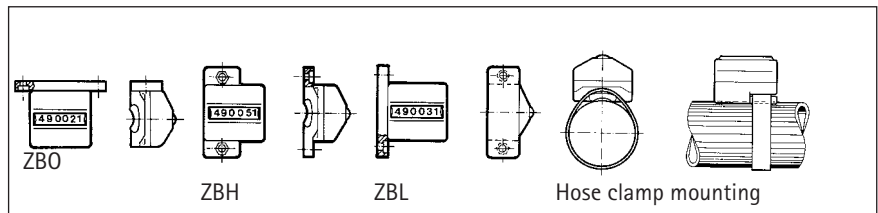
We supply suitable magnets for actuating this counter. The magnet core consists of barium iron (hard ferrite 22/17 acc. to DIN 17 410). For attachment (centre hole) only screws made of non-magnetic material may be used.

DIMENSIONS OF ACTUATING MAGNETS

Ordering code	D	d	H
3 532 023	15.2 mm	3.2 mm	6 mm
3 532 024	31.0 mm	5.3 mm	15 mm

ATTACHMENT

"Colibri" is available for several means of attachment:

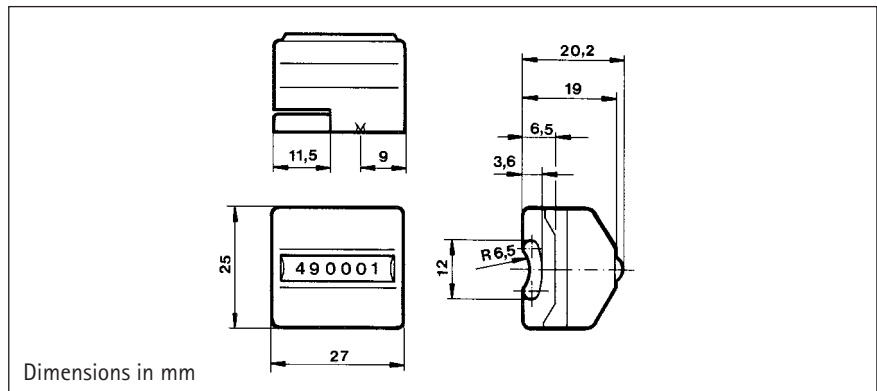


ZOB = Counter without attachment plate ZBL = Counter with attachment plate left
 ZBO = Counter with attachment plate top ZBH = Counter with attachment plate behind

TECHNICAL DATA

Display	6-digit
Digit height	4 mm, visual
Operating temperature	- 10 ... + 50 °C
Storage temperature	- 40 ... + 60 °C
Mounting	depending on version
Mounting position	any
Protection class (DIN 4050)	IP 65
Vibro stability	20 m/s ² (10...150 Hz) acc. to IEC 068-2-6
Shock stability	2.000 m/s ² (3 ms) acc. to IEC 068-2-27
Maintenance-free operation	10 million increments
Case	Makrolon
Weight	approx. 12 g
Counting mode	adding
Actuation	with conventional permanent magnets
Actuating distance	Fe-version 0.5 mm N and S magnets see order information
Response flux density	> 10 mT (100 Gauss)
Release flux density	< 4 mT (40 Gauss)
Actuating speed	2 m/s
Counting frequency max.	20 digits/s
Reset	none

DIMENSIONS



ORDER INFORMATION

	Ordering code	Ordering code	Ordering code
Counter without attachment accessories	North pole 0 490 001	South pole 0 490 002	Fe 0 490 003
Attachment plates	ZBO 2 490 011	ZBL 2 490 012	ZBH 2 490 005
Hose clamps	20 ... 32 mm 3 515 055	25 ... 40 mm 3 515 050*	40 ... 60 mm 3 515 057
Actuating magnets (North pole)	Distance 10 mm 3 532 023	Distance 30 mm 3 532 024	Magnetic plate 6 mm 3 532 025

* on request