

Type 499



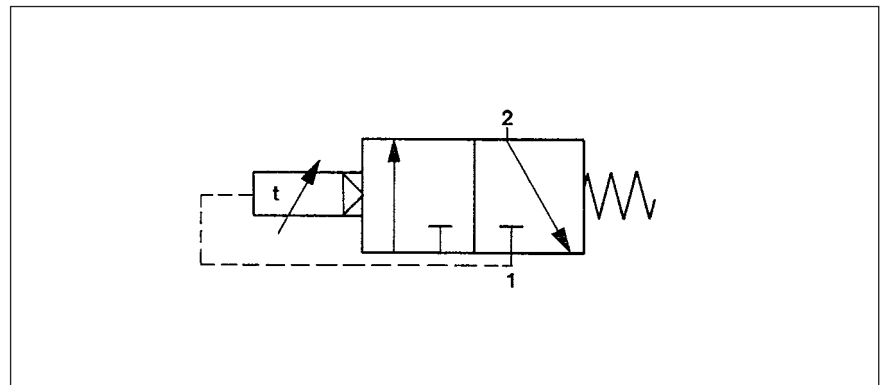
TECHNICAL DATA

Pneumatic Timer

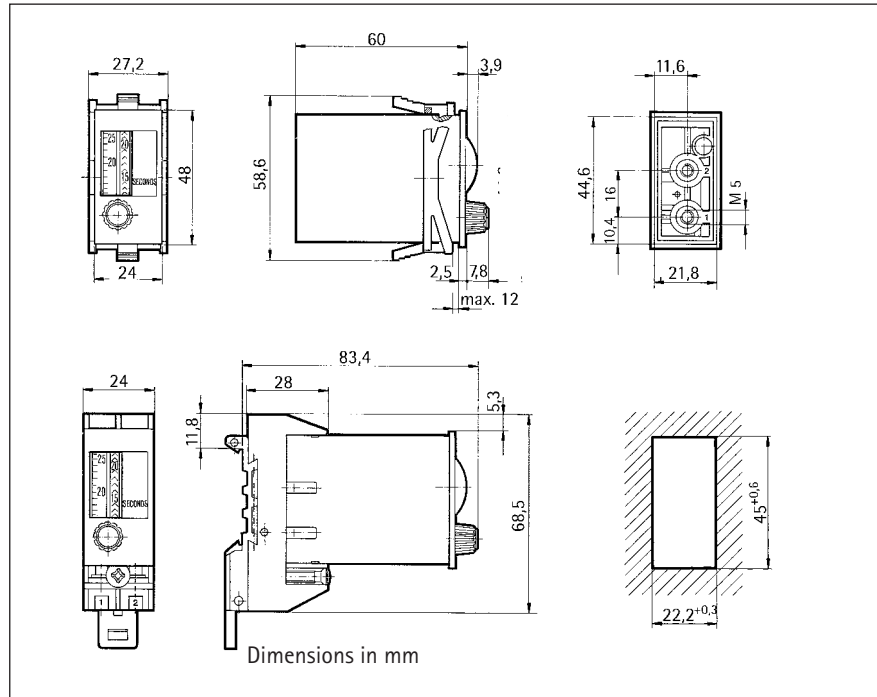
- Low-cost
- DIN dimensions
- Requires little space for installation
- Pressure-independent
- No continuous air supply required
- Stationary preset value

Display	digit roll
Time range	0.2 ... 3 s, 2 ... 30 s or 20 ... 300 s, depending on version
Operating pressure	2 ... 6 bar
Air quality	oilfree
Filter pore width	< 40 µs
Operating temperature	0 ... + 60 °C
Connection	hose coupler M5 or rapid-fit connection, depending on version
Mounting	clamping spring or DIN rail attachment
Protection class (IEC 144)	IP 40
Weight	approx. 50 g
Input	timer is started when input 1 is pressurized
Time setting	continuous with rotary knob
Timing range	0.2-3 s 2-30 s 20-300 s
Repeating accuracy	± 0.1 s ± 0.3 s ± 3 s
Setting accuracy	± 0.3 s ± 0.6 s ± 6 s
Reset	by blocking air intake at input 1
Reset time	min. 200 ms
Output	after the set time has elapsed, input 1 is connected to output 2

CONNECTION DIAGRAM



DIMENSIONED DRAWINGS



ORDER INFORMATION

Timer

	Time range	Time range	Time range
Connection	0.2 ... 3 s	2 ... 30 s	20 ... 300 s
Hose coupler M5	0 499 520	0 499 500	0 499 550
Rapid-fit connection	0 499 521	0 499 501	0 499 551

Panel frame

Dimensions	Installation dimensions	Ordering code
48 x 48 mm	45 x 45 mm	2 405 219
52 x 52 mm	45 x 45 mm	2 405 220
54 x 29 mm	50 x 25 mm	2 405 218
∅ 59 mm	∅ 50 mm	2 405 224
60 x 75 mm	52 x 52 mm	1 499 512
72 x 72 mm	68 x 68 mm	1 405 672

Accessories

Socket for DIN rail attachment		
- Hose screw coupler		1 499 511
- Rapid-fit connector		1 499 513
Please do not forget to add one of the following		
Bypass slides to your order:		
- Bypass slide for 35 mm H-rail		3 513 306
- Bypass slide for C-rail		3 513 307

Automatic reset see automatic reset module