

Plug-in 1 Channel Preset Counter Type 711 with LED display



TECHNICAL DATA

- Adding/subtracting count direction
- 6-digit LED display
- Value retention approx. 10 years without battery (NV memory)
- Relay or transistor outputs
- Preset value can be entered with keypad
- Plugs into modular system 400

Display	6-digit LED
Digit height	7 mm
Supply voltage V_{op}	12 ... 24 VDC \pm 10 %
Max. current consumption	120 mA on 12 VDC
Value retention	approx. 10 years, without battery (NV memory)
Operating temperature	- 10 ... + 50 °C
Storage temperature	- 20 ... + 70 °C
Mounting	modular system 400
Mounting position	any
Protection class (EN 60529)	front IP 54; connections IP 00; for higher degree of protection we recommend a protective case with clear cover (see "accessories")
Interference immunity EMC	EN 50082-2
Emission EMC	EN 50081-2
Vibro stability (IEC 68)	50 m/s ²
Shock stability	150 m/s ² 11 ms
General design	acc. to DIN VDE 0411

Inputs

Amplitude thresholds	< 2 V and > 8 V, max. + 40 VDC
Active edge	negative or positive, depending on version
Pulse shape	random (squarewave 1:1 for max. frequency)
Input resistance	approx. 22 k Ω
Count input	adding or subtracting, depending on program
Min. pulse length	100 μ s (5 kHz), 17 ms (30 Hz)
Max. counting frequency	5 kHz or 30 Hz, programmable
Control inputs	static
Reset	- manual via keypad, secured against accidental reset - electric reset with external reset pulse, pulse length 100 μ s, (5 kHz) or 17 ms (30 Hz) - automatic reset after preset has been reached (only if programmed accordingly)

Outputs

Signal outputs	OUT
Signal duration	50 ms... bistable, adjustable
Relays	only in corresponding version
Type of contact	single pole changeover contact, floating
Switching voltage	max. 250 VAC/50 VDC
Switching current	max. 1 A, min. 10 mA
Transistor	only in corresponding version
Signal type	PNP or NPN, depending on version
Switching voltage	0 V or V_{op} , depending on version
Switching current	max. 40 mA

* Count and reset input are available with independently positive or negative active edge, if required.

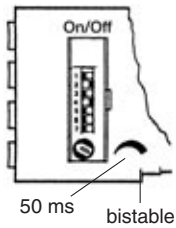
Type 711

Technical data

PROGRAMMING

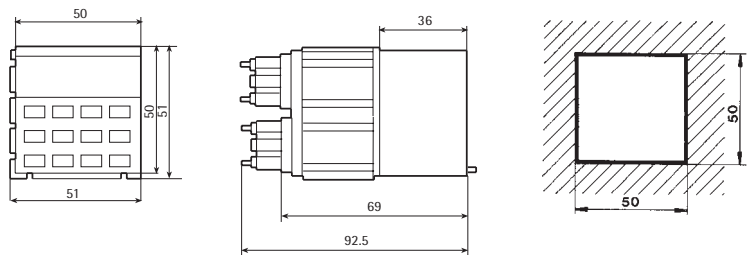
Application-specific programming is required before taking the counter into operation

Programming

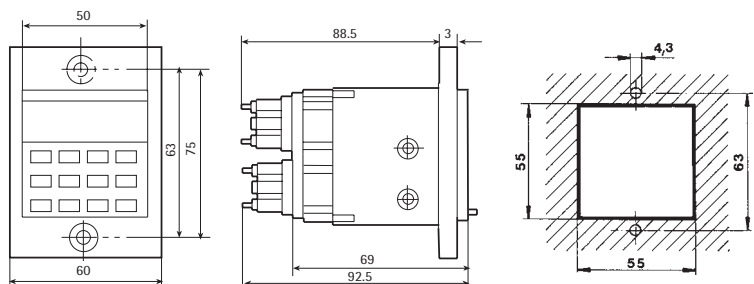


Function		Program switches						
		1	2	3	4	5	6	7
Reset input	30 Hz	on						
	5 kHz	off						
Count input	30 Hz		on					
	5 kHz		off					
Preset input	disabled			on				
	enabled			off				
Auto reset	on				off			
	off				on			
Set mode	(Set) to P					on		
	(Res) ato „0“					off		
Count direction	subt.						on	
	add.						off	
Button reset	disabled							off
	enabled							on

DIMENSIONS with connection box

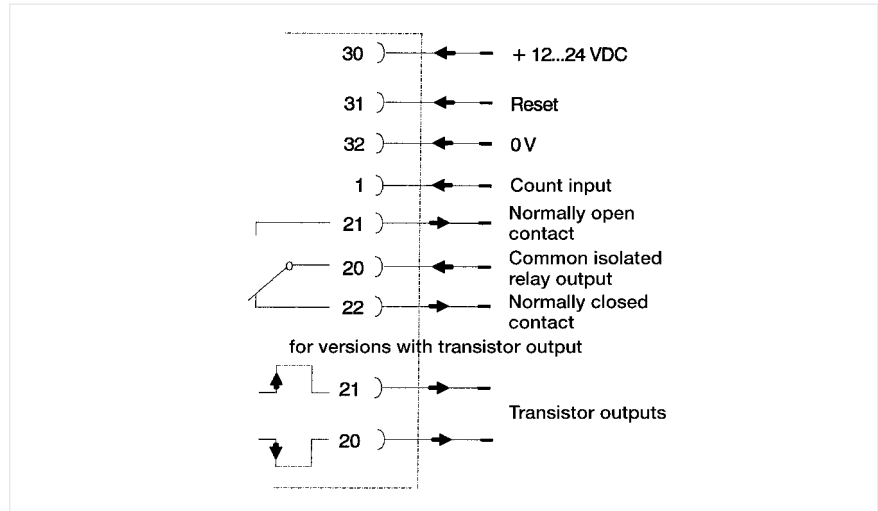


with connection box and panel frame



All dimensions in mm

CONNECTION DIAGRAM



ORDER INFORMATION
Counter

Accessories

Version	PNP	NPN
Relay output	0 711 410	0 711 400
Transistor output	0 711 427	0 711 424
Output signal-memory	0 711 419	-
Connection box 12 ... 24 VDC		1 405 670
Connection box 24 VAC		1 711 047
Panel frame black		1 405 492
Power supply unit with connection box 220 VAC		1 711 010
Power supply unit with connection box 110 VAC		1 711 011
Case with protective cover		see "Accessories"

Output signal memory

The signal status of the output is stored in case of a power supply failure and re-established when the power supply is restored.

Please inquire for the following options:

- Decimal point at one of the last 3 digits