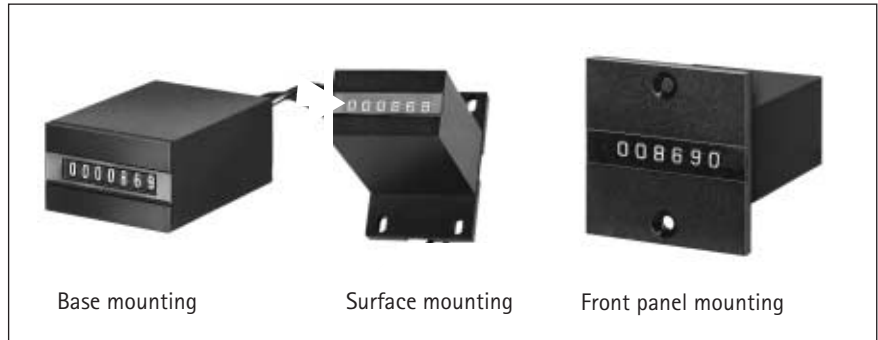


Type 869

Mini Counters

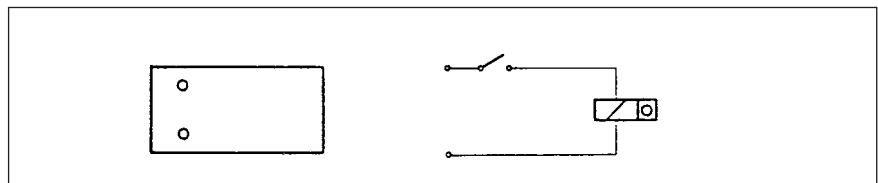


- Miniature size
- 6 or 7-digit, depending on version
- Protection class IP 40
- No reset

TECHNICAL DATA

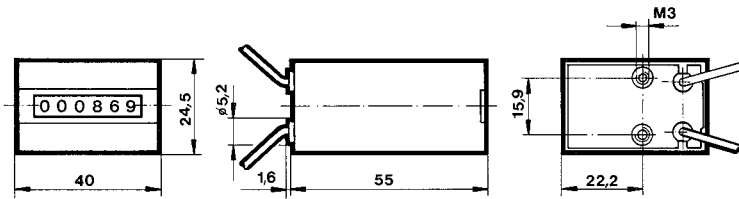
Display	6 or 7 -digit, depending on version
Digit height	4 mm
Supply voltage V_{OD}	24 VDC
Power consumption	1.7 W
Residual ripple	< 48 %
Operating temperature	- 10 ... + 50 °C
Storage temperature	- 40 ... + 85 °C
El. connection	flexible lead connection 250 mm, Ord. code 0 869 107 for 150 mm
Protection class (IEC 144)	front IP 54, connections IP 00
Vibro stability	50 m/s ² (10 ... 500 Hz) acc. to IEC 068-2-6
Shock stability	300 m/s ² (6 ms) acc. to IEC 068-2-27
General design	EN 61010-1
	Protection class II
	Contamination class 2
	Overvoltage category II
Duty cycle at 25 °C	100 %
Maintenance-free operation	10 ⁷ pulses
Weight	approx. 80 g
Count input	adding
Pulse length min.	25 ms
Counting frequency max.	20 Hz
Pulse duty factor	1:1
Reset	none

CONNECTION DIAGRAM

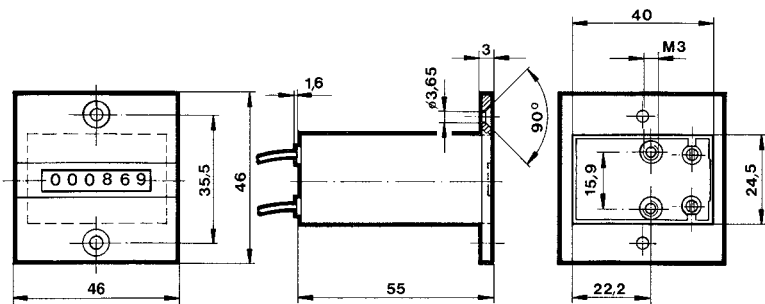


DIMENSIONS

Rear screw mounting



Front panel mounting



Dimensions in mm

ORDER INFORMATION

	Ordering code	Ordering code
Version	6-digit	7-digit
Base mounting	0 869 207	0 869 007
Front panel mounting	0 869 307	0 869 107
Attaching socket	1 869 026	