

The Joslyn Clark USAVAC low voltage vacuum contactors and starters are ideal for applications from 200V to 3,600V and motor ratings for 50 to 3700HP depending on voltage.

- 3600V, 3 Phase, 600A Vacuum Contactor
Rated 2,400HP/2,300V and 3,700HP/3,300V
- 1,500V, 3 Phase, 320A Vacuum Reversing Contactor
Rated 250HP/460V and 850HP/1,500V

VC Series Contactors and Starters incorporate many useful features to insure ease of maintenance, versatility, and reliability. The contactor can be assembled or dismantled without the use of any tools.

The control module contains the coil and auxiliary contacts wired to a terminal block and is easily removed for checking or immediate replacement. The phase assembly is a vacuum interrupter containing the power switching contacts.



Features

- Front Accessible
- Mounts in any plane
- Tamper resistant, dust protected auxiliary contacts
- Quiet Operation
- Compact, Lightweight
- Self-adjusting power contacts
- Energy efficient control module
- Fully phase insulated
- Rugged modular construction



LOW & MEDIUM VOLTAGE VACUUM CONTACTOR

VC Series



Specifications

Catalog Numbers			
1,500V	VC77U03415-**	VC77U03515-**	VC77U03615-** ²
3,600V	VC77U03436-**	VC77U03536-**	VC77U03636-** ²

Power Ratings Enclosed			
Rated Insulating & Operating Voltage	1500V-3600V ¹		
Rated Operational Current	160A	320A	600A
Rated Frequency	50-400Hz		
Making Current	1,600A	3,200A	6,000A
Breaking Current	1,600A	3,200A	6,000A
Dielectric Strength / B.I.L.	6,000V (1 min. per Interrupter); 4,500V (60ms per Interrupter)		
Interrupting Current	4,400A	5,000A	6,000A
Withstand Current	30,000A-3Hz.		
Short Time Current 1 Sec.	5,000A	7,000A	9,000A
Short Time Current 2 Sec	2,000A	5,000A	7,000A
Mechanical Life - No Load	2,000,000 cycles		
Electrical Life at Rated Current (AC3 Duty)	1,000,000 cycles		
Switching Frequency	600 cycles per hour		
Chopping Current	0.9A		
Operating Range at Rated Voltage	+10% -25%		
Closing Power / Duration	950VA/17ms	950VA/17ms	1,900VA/17ms
Holding Power	9VA	9VA	18VA
Average Opening Time	90ms at 60Hz		
Average Closing Time	17ms at 60Hz		
Average Pick-Up at Rated Voltage	≤75%		
Average Drop-out at Rated Voltage	≤70%		
Recommended Control Transformer	250VA	250VA	500VA

Application Ratings			
Mounting Installation	All Planes (Contactor only)		
Altitude	6600 ft. (2000 Meters)		
Operating Temperature Range	-40°F (-40°C) +122°F (50°C)		
Vibration / Shock	40Hz - 2G. / 30G.		
Weight	12 lbs. (5.45 kg)	12 lbs. (5.45 kg)	24 lbs. (11 kg)
Auxiliary Contacts	2 sets of Form C Contacts ⁴		

Coil Voltages

Suffix	Coil Voltage
-76	110/120VAC 50/60Hz
-26	220/240VAC 50/60Hz
-125	125VDC
-150	250VDC

Motor HP/KW AC3

Voltage	160A	320A	600A
230V	60	125	200
460V	125	250	400
1,000V	250	500	1000
1,500V	400	800	1500
2,300V	600	1200	2250
3,300V	800	1750	3175

Three Phase Transformer Load KVA

Voltage	160A	320A	600A
230V	60	120	225
460V	120	225	450
1,000V	250	500	975
1,500V	375	750	1450
2,300V	600	1200	2250
3,300V	850	1700	3250

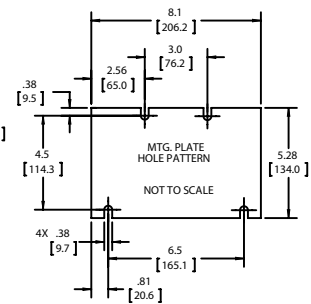
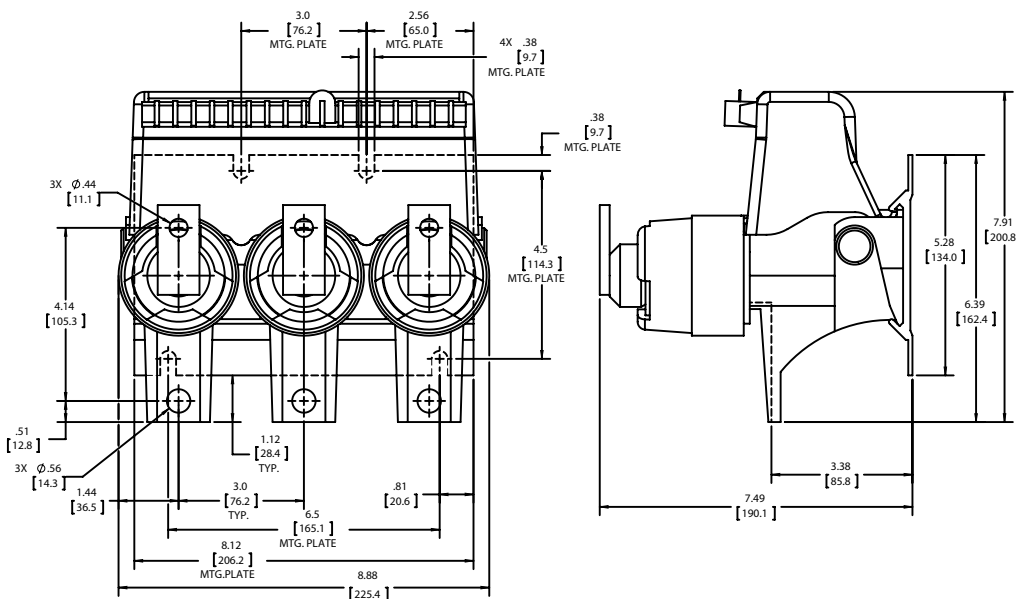
Three Phase Transformer Load KVAR

Voltage	160A	320A	600A
230V	45	90	170
460V	90	180	340
1,000V	195	390	720
1,500V	290	580	1050
2,300V	435	870	1650
3,300V	625	1250	2350

NOTES:

- 3600V Model has a B.I.L. rating of 45 kV and an interrupt rating of 4000A.
- Contact factory for dimensions and outline drawings.
- Consult factory for certifications and approvals.
- Excluding DC Coil Voltages

** Coil Voltage



NOTE:

1. ALL DIMENSIONS IN INCHES (mm)